

endolite

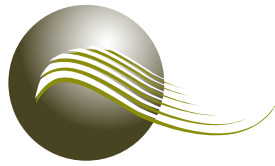
get busy living

celebrating

2010 Catalogue

120 years
of innovation





endolite
get busy living

Introduction

This is a special year at Blatchford as it marks the 120th year since the company was started by Chas. A. Blatchford, great grandfather of our current CEO, Stephen Blatchford. It is a moment in which to reflect on and celebrate the proud history of the company. As well as our civic and social responsibility to amputees who access the world's health services, we have had additional responsibility in each generation to treat the amputees resulting from wars, currently we supply the prosthetics service to the British Ministry of Defence Rehabilitation Centre.

Throughout the 120 years we have maintained a continuous relationship, direct with the people who use artificial limbs. In the UK we supply over 30% of all amputees seen by the NHS, with additional numbers in other countries. This interaction directs all of our design and manufacturing activities and ensures that we remain focused on the end user of our products. Our continuous record of prosthetic service also means that those amputees we are fitting who are now in their 20s, we will see through to their 80s. We have a personal commitment, therefore, to each of these individuals, to ensure that the artificial limbs we supply now will support healthy and opportunity filled lives, that we can all celebrate as we work together through the years.

That's why we at Blatchford are committed to being a global leader in prosthetics and helping change thousands of lives for the better through providing safe, effective and exciting prostheses and related services to the people who need them. We have a leading portfolio of components called Endolite that work effectively across a broad range of therapeutic areas and an industry-leading pipeline of promising new products in areas such as bio-mimetically designed and microprocessor controlled limbs.

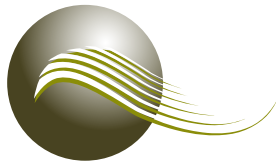
Corporate overview

Blatchford is one of the world's longest established prosthetics companies. Our corporate headquarters is located in the UK, with additional clinical, manufacturing and research and development locations in the USA, France, India and Russia. Recent innovations include the Echelon Foot; an award winning innovation that has invigorated the lives of the hundreds of amputees who have tried it. The Echelon foot/ankle system provides plantar flexion and dorsi flexion motion that mimics the kinematics of the natural foot. This means that on stairs, ramps and uneven ground the foot stabilises the limb and enhances comfort at the skin interface. Amputees comment that they can do more because they can adopt a more comfortable posture since the ankle adapts to the changing nature of the surface rather than the body having to do so.

Some of our major awards include: Three Queen's Awards for Technological Achievement, a Design Council Award, a Prince of Wales Award for Innovation, Millennium Products and British Engineering Excellence awards, BHTA, Design for Living Award. We have been awarded the Queen's Award for Innovation yet again in 2010 and are proud of this prestigious recognition of our continued design and manufacturing success.

Blatchford Products Ltd, Lister Road, Basingstoke, Hampshire, RG22 4AH, United Kingdom. Sales Tel: +44 (0) 1256 316600 Fax: +44 (0) 1256 316617, Customer Service Tel: +44 (0) 114 263 7900 Fax: +44 (0) 114 263 7916, Email: sales@blatchford.co.uk Web: www.blatchford.co.uk

Blatchford Products Limited and Endolite are companies and trade marks of Chas. A. Blatchford & Sons Ltd



endolite

get busy living

Contents

Introduction	2
Company History	4-5
Warranty information	6
Activity guides, symbols, abbreviations	7
Prescription Guide	8-9
Feet	10-28
Build Heights	27
Knees	29-60
Knee build Heights	55-58
Programmers and Comms. Device	61-62
Control Fitting Kits and Exchange Units	63-66
Activity Monitors	67-68
Hip Disarticulation	69-72
Adapters	73-102
Socket alignment and adapters	75-86
Tubes and clamps	87-94
Shin and ankle devices	95-102
Children	103-110
Cosmesis	111-118
Socket Material	119-122
Suspension	121-123
Sundries	123-124
Adhesives	124
Tools & Equipment	125-129
Index	131-132

CEO 1890 – 1925



CEO 1934 – 1959



1863 – 1926

Chas. A. Blatchford

The first Blatchford Clinic opened in London in 1890 and before long the company was awarded a series of Queen's Medals for improvements and excellence in the fitting of artificial limbs. In the early days Chas.A.Blatchford supplied artificial arms, legs, crutches and surgical appliances directly to patients, who were usually funded by charity or trade associations.

The stimulus of war led to swift advances in limb design and Chas. filed for the company's first patent in 1917, for the Central Knee Control, a knee extension device. This was followed soon after by a new ankle joint that allowed dorsi and plantar flexion. This desire to add to the industry's knowledge base would prove to be a feature of the working style of each succeeding generation of Blatchford CEO.

1894 – 1971

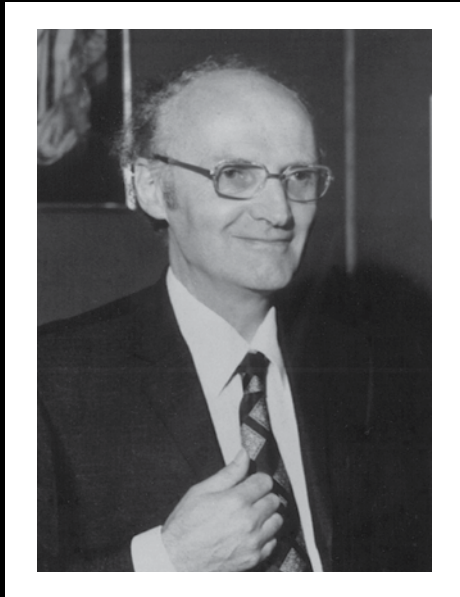
W. A. Blatchford

W.A.Blatchford took over as manager of the Blatchford Clinic in Cardiff in 1916, this clinic provided limb supply for the whole of Wales and offered W.A. invaluable experience of day to day prosthetics.

Innovations continued and a series of patents were registered in the 1920s, these included a Roller Bearing Knee and Tendon Ankle. The need for better limb controls became more apparent after World War II with the huge increase in young active amputees. Blatchford designed a new Stabilised Knee, which locked safely when weight was applied to the limb, this soon became popular worldwide.

celebrating
120 years
of innovation

CEO 1960 – 1985



CEO 1985-Present



1926 – 1985

Brian Blatchford

The Modular Assembly Prosthesis, known as the Blatchford MAP System was designed by Brian Blatchford and was the first UK modular system. It allowed the assembly of a prosthesis from a series of stock components. Finally large numbers of amputees could be fitted within a reasonable time scale. The company won a series of awards, including The Queen’s Award and Design Council Award, for this successful innovation.

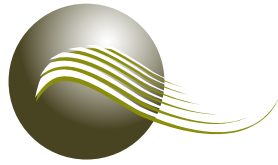
Brian went on to develop the world’s first carbon fibre prosthetic system using materials created for the aircraft industry. This technology promoted light, high strength designs that passed the new ISO standards for limb components. The innovation paved the way for the future development of flexible feet and shin components that would allow energy return to enhance amputee walking and sports activities.

1959 – Present

Stephen Blatchford

In 1990 Blatchford began development of the Intelligent Prosthesis (IP), the first commercially available microprocessor controlled prosthetic knee in the world. This was followed up with another World’s first: a hybrid pneumatic/hydraulic microprocessor controlled knee, able to detect terrain changes as well as speed and respond accordingly. These developments were to spark off a new type of limb control design that would change the nature of prosthetics internationally.

Other patented innovations during this period include a waterproof injection moulded limb system, silicone skin, an adjustable heel height device, torque and rotational shock absorbers, independent heel and toe springs and a hydraulic linkage knee. This creative series has culminated in the development of the Echelon Foot with hydraulic ankle movement, the uniqueness of which has garnered another set of awards including industry awards for improvement to the lives of amputees plus the coveted Queen’s Award for Innovation 2010.



endolite

get busy living

Warranty Statement

The warranty period applies from the original date of purchase of the product unless otherwise specified.

In the event that a defect is discovered during the warranty period, Blatchford will, at its discretion, either repair or replace the affected part with another part equivalent in basic function or refund the purchase price of the affected part only. The warranty of the repaired or replaced part is limited to the remaining warranty period of the original purchased part or 12 months whichever is the greater.

The warranty cover is limited to the cost of the original failed part and excludes all associated or related costs. For the sake of clarity, the phrase "all associated or related costs" includes but is not limited to associated parts, assembly and disassembly costs, transport costs, travel and handling costs and any form of compensation.

The warranty policy excludes failure resulting from misuse, accidental damage, neglect, wear and tear, unapproved component modifications, incorrect assembly and, unless otherwise specified, use of the component with other prosthetic manufacturers' components or immersion in water.

Endolite Prosthetic products are designed for use with an external prosthesis only and therefore are not warranted for use in a prosthesis which connects to an implant.

If the product comes with a Warranty Registration Form this must be completed and returned to the company for the warranty to be effective.

To qualify for warranty a Warranty Claim Form must be fully completed and supplied with the affected part.

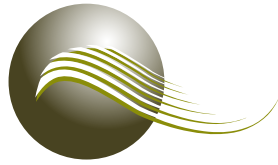
The Warranty Claim Form and detailed product specific warranty periods are listed on our website. To return any product, please contact our Customer Services Department to inform of the reason for return and to request an RMA number for the return.

For the latest information please visit our website: www.endolite.co.uk



CE Mark

The CE mark applies to all of our system components.



endolite

get busy living

Guides

Prescription Activity Guide:

Activity Level	Description
----------------	-------------



K0

The amputee does not have the ability to move independently and uses a prosthesis for cosmetic purposes only



K1

Indoor Walker – limited to indoor walking the amputee is able to walk on level surfaces at slow cadence



K2

Limited Walker – Within a limited outdoor range, the amputee has the ability to walk at low or medium speed and can manage small obstacles such as curbs, steps and uneven surfaces



K3

Active Walker – Daily activities include walking with rapid and variable cadence over uneven terrain and negotiating most environmental obstacles encountered



K4

Very active, sports participant – Daily activities that exceed basic walking including rigorous, high-impact, high-energy activities like athletics, children's games and rugged work

Prescription Impact Guide:

The impact levels shown define appropriate selection of K3 and K4 foot springs

Impact Level	Description
--------------	-------------

Low

Daily walking and occasional sports such as golf and hiking

Moderate

Aggressive walking, frequent or daily sports such as jogging

High

Daily activities such as distance running, climbing, lifting and carrying heavy objects for vocational purposes

Extreme

Rigorous daily walking at high cadence, competitive athlete in track and field type events, has vocation that requires jumping or loading of the prosthesis beyond normal levels

Please contact our sales team for prescription information on products for extreme users

Notes:

1. The weight limit on the complete prosthesis is determined by its lowest rated component.
2. The weight limit applies to all products unless stated otherwise.
3. Before assembly always refer to the appropriate Technical Information.



Elite VT Elite Blade Elite 2 Echelon Epirus Esprit Dynamic Response 2 Navigator

K4

K3



KX06 Mercury Hi-Activity ESK+SF Hydraulic Smart Adaptive Smart IP ESK+4-Bolt IP+ ESK+SF PSPC

Socket Adaptors



Pyramid: P189410 S, P189410, P189310, P169307
 EP-MSR, EP-FSR, 239017, P189610
 Combined: P409050, P409049, 409041, 409042
 Full Alignment: 189906, 189125, 189806, 239032, 169207, 189123 (rotation), 239019, 189127

Structural Adaptors



Pyramid: 409054 (30mm), 409030 (35mm), AK30M1 (30mm), AK35M1 (35mm)
 30mm: 739052, 739053, 739054
 30mm: 239030 (R), 239029 (R)
 a AL30, b CF30, c CF35, d CF30 (R)
 903220/200/400/500 a, 330120 b, 330108 c, 330146 d
 Full Alignment: 339240 (30mm), 339140 (35mm), 339008 (30mm), 339009 (35mm), 409012, 019231 (30mm), 019131 (35mm), 399101
 (R = reinforced)

FEET

Amputee Weight (kg):

Activity level	Impact level	Amputee Weight (kg)											Order Example:
		44-52	53-59	60-68	69-77	78-88	89-100	101-116	117-130	131-147	148-166		
Elite Blade	K3	LOW	1	1	2	3	4	5	6	7	8	9	EB25L4
	K4	MOD	1	2	3	4	5	6	7	8	9		
	K4	HIGH	2	3	4	5	6	7	8	9			
Elite 2	K3	LOW	1	1	2	3	4	5	6	7	8	9	EL25L3
	K4	MOD	1	2	3	4	5	6	7	8	9	*	
	K4	HIGH	2	3	4	5	6	7	8	9	*	*	
Elite VT	K3	LOW	1	1	2	3	4	5	6	7	8	9	EVT25L73
	K4	MOD	1	2	3	4	5	6	7	8	9		
	K4	HIGH	2	3	4	5	6	7	8	9			



Amputee Weight (kg):

Activity level	Spring Set	Amputee Weight (kg)							Example:	
		44-52	53-59	60-68	69-77	78-88	89-100	101-116		117-125
Echelon	K2	1	1	2	3	4	5	6	7	EC25L3
	K3	1	2	3	4	5	6	7	8	
Epirus	K2	1	1	2	3	4	5	6	7	EP25L3
	K3	1	2	3	4	5	6	7	8	
Esprit	K2	1	1	2	3	4	5	6	7	ESP25L3
	K3	1	2	3	4	5	6	7	8	
Navigator	K1	WW	WW	WW	WO	OO	OB	BB	NAV25LWO	
	K2	WW	WW	WO	OO	OB	BB	BB		
	K3	WW	WO	OO	OB	BB	BB	BB		

DR2

	Left	Right
22cm	529120	529121
23cm	529122	529123
24cm	529124	529125
25cm	529126	529127
26cm	529128	529129
27cm	529130	529131
28cm	529132	529133
29cm	529134	529135
30cm	529136	529137

Multiflex SE

	Left	Right
25cm	519525	519526
26cm	519527	519528
27cm	519529	519530
28cm	519531	519532

Multiflex ladies

	Left	Right
22cm	519141	519142
23cm	519143	519144
24cm	519145	519146
25cm	519147	519148

Multiflex

	Left	Right
22cm	519119	519120
23cm	519121	519122
24cm	519123	519124
25cm	519125	519126
26cm	519127	519128
27cm	519129	519130
28cm	519131	519132
29cm	519133	519134
30cm	519135	519136



Multiflex Special Edition



Multiflex



Patient Adjustable Heel



Super SACH



Senior



Aqualimb

K2

K1



4-Bar PSCP



ESK+MKL PSCP



EUK SAKL



4-Bar SAKL



Thigh Release



Compact SAKL

Functional Adaptors



Brio



TTPRO



Torque Absorber

Ankle Adaptors



SD 30mm



35mm



Pyramid



Pylon



409007/8/9



LD Light Duty 30



Light Duty 35



409002/3/4

KNEES

PAH	Left	Right
22cm	509127	509128
23cm	509129	509130
24cm	509131	509132
25cm	509133	509134

Super SACH	Left	Right
22cm	P529101	P529102
23cm	P529103	P529104
24cm	P529105	P529106
25cm	P529107	P529108
26cm	P529109	P529110
27cm	P529111	P529112
28cm	P529113	P529114

Senior	Left	Right
22cm	SNR22L	SNR22R
23cm	SNR23L	SNR23R
24cm	SNR24L	SNR24R
25cm	SNR25L	SNR25R
26cm	SNR26L	SNR26R
27cm	SNR27L	SNR27R
28cm	SNR28L	SNR28R

Aqualimb	Left	Right
100kg		
22cm	629705L	629706L
23cm	629707L	629708L
24cm	629709L	629710L
25cm	629711L	629712L
26cm	629713L	629714L
27cm	629715L	629716L
80kg		
22cm	629405LF	629406LF
23cm	629407LF	629408LF
24cm	629409LF	629410LF
25cm	629411LF	629412LF
26cm	629413LF	629414LF
27cm	629415LF	629416LF

KX06
KX06
KX06-Swing
Mercury Hi-Activity
MH30
MH30 Swing
MHPYR
MHPYR Swing

ESK+SF Hydraulic
ESKSFH30
ESKSFH35
ESKSFHPYR
ESKSFHF

ESK+4-bolt Hydraulic
ESK4BH30
ESK4BH35
ESK4BHPYR
ESK4BHF

Smart Adaptive - XX
Smart Adaptive-GB

Smart IP
SMARTIPSF30
SMARTIPSFYPYR
SMARTIPSF35
SMARTIP4B30
SMARTIP4BYPYR
SMARTIP4BF

ESK+ SF IP+
ESKSFIP30
ESKSFIP35
ESKSFIPPYR
ESKSFIPF
ESKSFIFE30
ESKSFIFE35
ESKSFIFEYPYR
ESKSFIFE

ESK+ 4-bolt IP+
ESK4BIP30
ESK4BIP35
ESK4BIPPYR
ESK4BIPF
ESK4BIPE30
ESK4BIPE35
ESK4BIPEYPYR
ESK4BIPEF

ESK+SF PSCP
ESKSFPP
ESKSFPP30
ESKSFPP35
ESKSFPPYR

ESK 4-bolt PSCP
ESK4BPF
ESK4BP30
ESK4BP35
ESK4BPPYR

4-Bar PSCP: 019136

ESK+MKL PSCP
ESKSBMKLPF
ESKSBMKLP30
ESKSBMKLP35
ESKSBMKLPPYR

EUK SAKL
019155
019355

4-Bar SAKL: 019336

Compact SAKL: P239143

Thigh Release
Compact SAKL: P239443
EUK SAKL: LEFT, 239508
RIGHT, 239509
ESK MKL: 239640

PROGRAMMERS

IP+ Programmer
019142 - UK
019142E - ROW

Communications Device
019173 - XX

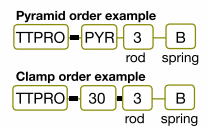
e.g. 019173-GB

SOCKETS

ONE SHOT SOCKET
109109 Male Pyr 15cm
109209 Male Pyr 20cm
109309 Female Pyr 15cm
109409 Female Pyr 20cm

ADAPTORS

TTPro
Amputee Weight (kg)
44-52 53-59 60-68 69-77 78-88 89-100 101-116 117-125
1P 2P 2P 2W 2W 3B 3B 3B
2P 2W 3W 3W 3B 3B 3B 3B
3W 3W 3B 3B 3B 3B - -



Brio - BRIO30

Torque Absorber - 409230

STANDARD MULTIFLEX ANKLE	30mm	35mm	Snubber
W - 60	379342	409125	409007
O - 70	379343	409126	409008
B - 80	379344	409127	409009

LIGHT DUTY ANKLE	30mm	35mm	Snubber
P - 50	379536	409120	-
W - 60	379538	409121	409002
O - 70	379540	409122	409003
B - 80	379541	409123	409004

MULTIFLEX ANKLE PYLON	30mm	Snubber
W - 60°	409241	409007
O - 70°	409242	409008
B - 80°	409243	409009

PYRAMID MULTIFLEX PYLON	30mm	Snubber
W - 60	409353	409007
O - 70	409354	409008
B - 80	409355	409009

Activity and Impact Levels



Level 1 Low Impact	Level 2 Low Impact	Level 3 Moderate Impact	Level 4 Moderate Impact	Level 4 High Impact
			elite VT	
			elite blade	
			elite2	
		echelon		
		epirus		
		esprit		
		DR2		
	Navigator			
	Multiflex			
	PAH			
	SuperSACH			
	Senior			
	Aqualimb			






FEET




The eliteVT with Vector Thrust™ system delivers a level of power and control, which sets a new pace in prosthetic foot technology. It manages the requirements of both walking and running through balancing the spring characteristics in a biomimetic design.

The carbon foot springs and new precision machined titanium coil spring interact to absorb impact and shear loads and return energy for dynamic forward progression.

- Precision machined spring for vertical compression and axial rotation
- Controlled and efficient energy return
- Independent carbon foot springs
- Attractive footshell with cosmetic attachment surface
- Size range 24cm to 30cm
- 36 month warranty

Material: e-carbon/titanium/aluminium
 Component weight: 835g (without footshell)
 Max. Amputee weight: 130kg K1-K4
 166kg K1-K3
 Build height: 170mm
 Footshell height: 70mm sizes 24-28
 80mm sizes 29-30
 Heel height: 10mm
 Recommended for activity level: 



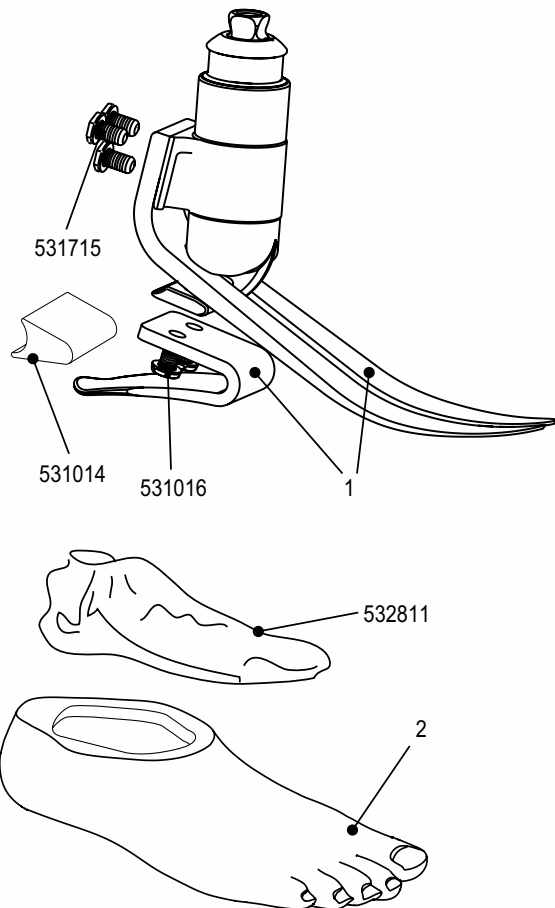
Activity	Impact (kg)	44-52	53-59	60-68	69-77	78-88	89-100	101-116	117-130	131-147	148-166
 K3	LOW	1	1	2	3	4	5	6	7	8	9
 K4	MOD	1	2	3	4	5	6	7	8	9	
 K4	HIGH	2	3	4	5	6	7	8	9		

Foot spring set

1 180 2 210 3 240 4 280

← Axial shock spring rate indicated as shown

Axial shock spring



Fitting Instruction: 938289

Example



Axial Shock Springs (not shown)

- Rate 1 - 539058
- Rate 2 - 539059
- Rate 3 - 539060
- Rate 4 - 539061

1 Spring Kits

Foot Size	Foot Size	Foot Size
24-26	27-28	29-30
Set 1 - 539710	Set 1 - 539719	Set 1 - Special order only
Set 2 - 539711	Set 2 - 539720	Set 2 - 539730
Set 3 - 539712	Set 3 - 539721	Set 3 - 539731
Set 4 - 539713	Set 4 - 539722	Set 4 - 539732
Set 5 - 539714	Set 5 - 539723	Set 5 - 539733
Set 6 - 539715	Set 6 - 539724	Set 6 - 539734
Set 7 - 539716	Set 7 - 539725	Set 7 - 539735
Set 8 - 539717	Set 8 - 539726	Set 8 - 539736
Set 9 - 539718	Set 9 - 539727	

2 Foot shells

Left	Part Number	Right	Part Number
24L	539005	24R	539006
25L	539007	25R	539008
26L	539009	26R	539010
27L	539011	27R	539012
28L	539013	28R	539014
29L	539015	29R	539016
30L	539017	30R	539018

*For dark tone add suffix D

elite blade®



A lightweight pylon foot that combines great deflection for running response with a free and easy walking action. The independent springs provide efficient energy return and the flexible extended pylon minimises shock load transmission to the skin interface and proximal joints. The Elite Blade is a great crossover foot offering the user comfort and a lively loading response for work, leisure and sports activities.

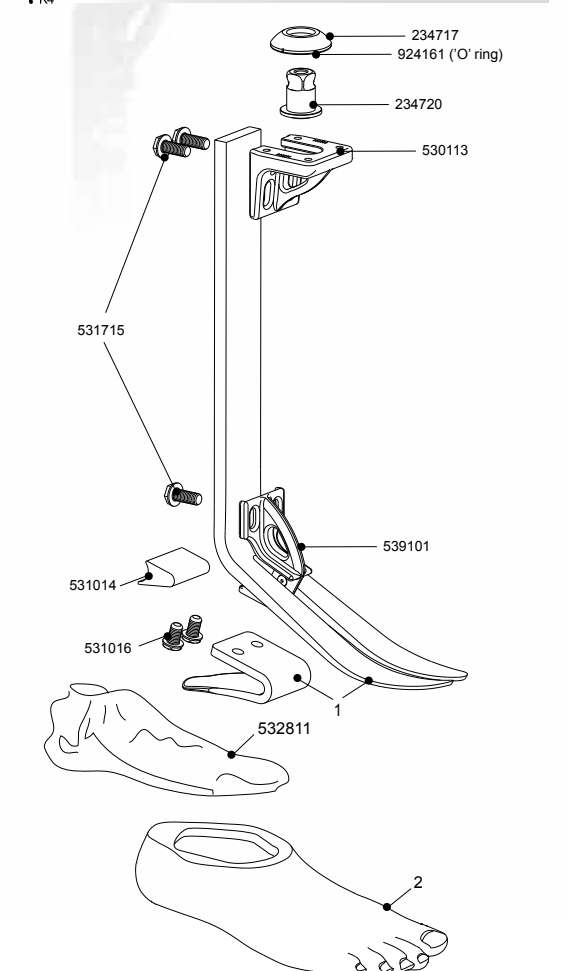
- e-carbon foot with independent springs
- Dynamic pylon enhances shock absorption
- Lightweight because of extended blade
- Size range 24cm to 30cm
- 36 month warranty
- Supplied with shifting, rotating male pyramid

Material: e-carbon/Aluminium
 Component weight: 580g (full length without footshell)
 Max. Amputee weight: 130kg K1-K4
 166kg K1-K3
 Build height: 200mm - 365mm (min - max)
 Footshell height: 70mm sizes 24-28
 80mm sizes 29-30
 Heel height: 10mm

Recommended for activity level:



Activity	Impact (kg)	44-52	53-59	60-68	69-77	78-88	89-100	101-116	117-130	131-147	148-166
LOW K3		1	1	2	3	4	5	6	7	8	9
MOD K4		1	2	3	4	5	6	7	8	9	
HIGH K4		2	3	4	5	6	7	8	9		



Example



1 Spring Kits

Foot Size	Foot Size	Foot Size
24-26	27-28	29-30
Set 1 - 539610	Set 1 - 539619	Set 1 - Special order only
Set 2 - 539611	Set 2 - 539620	Set 2 - 539630
Set 3 - 539612	Set 3 - 539621	Set 3 - 539630
Set 4 - 539613	Set 4 - 539622	Set 4 - 539631
Set 5 - 539614	Set 5 - 539623	Set 5 - 539632
Set 6 - 539615	Set 6 - 539624	Set 6 - 539633
Set 7 - 539616	Set 7 - 539625	Set 7 - 539634
Set 8 - 539617	Set 8 - 539626	Set 8 - 539635
Set 9 - 539618	Set 9 - 539627	Set 9 - 539636

2 Foot shells

Left	Part Number	Right	Part Number
24L	539005	24R	539006
25L	539007	25R	539008
26L	539009	26R	539010
27L	539011	27R	539012
28L	539013	28R	539014
29L	539015	29R	539016
30L	539017	30R	539018

*For dark tone add suffix D

Fitting clamp - **941255** fitting clamp for alignment and set-up. Use also as cutting and drilling guide. Available separately

Fitting Instruction: 938295

* Component weight shown is for a size 26cm, but weights vary with size. Build part numbers are for assembly guidance only and may not be for sale separately

A sports foot classic, the Elite2 independent foot springs provide vertical shock absorption as well as efficient and responsive energy return. This foot is suitable for high impact, all terrain walking as well as a variety of recreational sports, excluding football

- Independent foot springs with e-carbon heel
- Vertical shock absorption
- Lightweight design
- Attractive footshell with cosmetic attachment surface
- Spectra sock for quiet operation
- Size range 24cm to 30cm
- 36 month warranty



Material: Carbon fibre/Aluminium
 Component weight: 610g* (with foot shell)
 395g (without)
 Max. Amputee weight: 130kg K1-K4
 166kg K1-K3
 Build height: 130mm
 Footshell height: 70mm sizes 24-28
 80mm sizes 29-30
 Heel height: 10mm
 Recommended for activity level:

Amputee Weight (kg)

Activity	Impact	(kg)										
		44-52	53-59	60-68	69-77	78-88	89-100	101-116	117-130	131-147	148-166	
K3	LOW	1	1	2	3	4	5	6	7	8	9	
	MOD	1	2	3	4	5	6	7	8	9	*	
K4	HIGH	2	3	4	5	6	7	8	9	*	*	

* Special orders over 125kg for high weight/activity levels

Example



*For dark tone add suffix D

1 Spring Kits:

Rate	Medium Foot Size 24-26	Large Foot size 27-28	XLarge Foot size 29-30
1	539710	539719	Special order only
2	539711	539720	539730
3	539712	539721	539731
4	539713	539722	539732
5	539714	539723	539733
6	539715	539724	539734
7	539716	539725	539735
8	539717	539726	539736
9	539718	539727	

2 Glide Sock

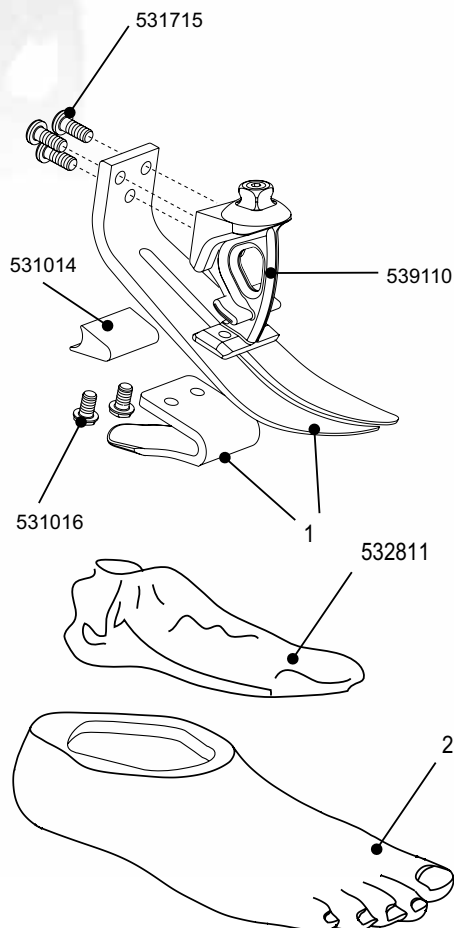
All sizes - 532811

3 Footshell

Left	Part Number	Right	Part Number
24L	539005	24R	539006
25L	539007	25R	539008
26L	539009	26R	539010
27L	539011	27R	539012
28L	539013	28R	539014
29L	539015	29R	539016
30L	539017	30R	539018

*For dark tone add suffix D

Fitting Instruction: 938223



* Component weight shown is for a size 26cm, but weights vary with size. Build part numbers are for assembly guidance only and may not be for sale separately



The award winning Echelon Foot is a unique prosthetic device, which provides self-alignment of the prosthesis on varied terrain and following footwear changes. It has an instant impact on postural symmetry, easing abnormal pressures at interface and other joints. Wearing Echelon promotes stability and confidence on uneven surfaces and excellent energy response at all times.

- Hydraulic control adapts foot position to terrain requirement
- Toe dorsi-flexes for swing through clearance
- Toe moves downwards or may tuck in for sitting
- Ankle resistance adjustment
- e-carbon heel and toe springs
- Size range 22cm to 30cm
- 36 month warranty

Amputee Weight (kg)

Activity	44-52	53-59	60-68	69-77	78-88	89-100	101-116	117-125
K2	1	1	2	3	4	5	6	7
K3	1	2	3	4	5	6	7	8

Spring set

Sizes 22-24 rated to 100kg
 Sizes 25-30 rated to 125kg

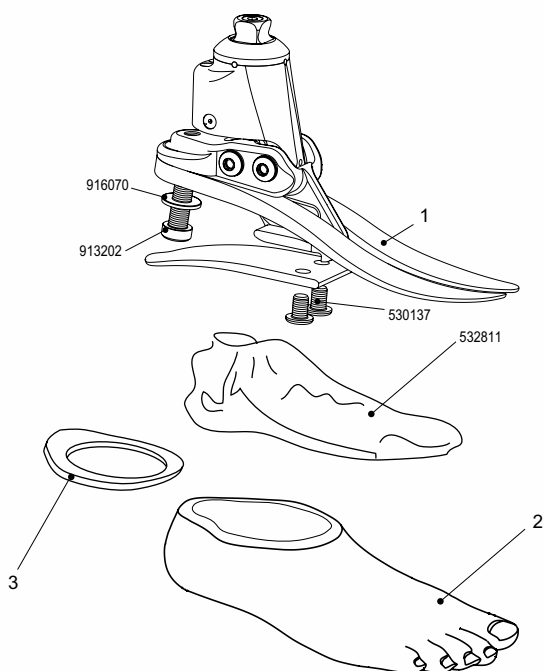
Size 25-30 only

Material:	Carbon fibre/aluminium/hydraulic ankle
Component weight:	900g
Max. Amputee weight:	100kg K1-K4 125kg K1-K3
Build height:	115mm sizes 22-24 120mm sizes 25-26 125mm sizes 27-30
Footshell height:	70mm sizes 22-24 75mm sizes 25-30
Heel height:	10mm
Recommended for activity level:	

Example

EC **25L** **3**
Size/side Spring set

*For dark tone add suffix D



1 Spring Kits

Rate	22-24	25-26	27-28	29-30
Set 1	539801	539810	539819	539828
Set 2	539802	539811	539820	539829
Set 3	539803	539812	539821	539830
Set 4	539804	539813	539822	539831
Set 5	539805	539814	539823	539832
Set 6	539806	539815	539824	539833
Set 7		539816	539825	539834
Set 8		539817	539826	539835

2 Footshell

Small	Medium	Large	Extra Large
22-24	25-26	27-28	29-30
22L 539038	25L 539044	27L 539048	29L 539052
22R 539039	25R 539045	27R 539049	29R 539053
23L 539040	26L 539046	28L 539050	30L 539054
23R 539041	26R 539047	28R 539051	30R 539055
24L 539042			
24R 539043			

3 Cosmetic Interface*

Size	Left	Right
22cm	530138	530138
23cm	530138	530138
24cm	530138	530138
25cm	531035	531035
26cm	531035	531035
27cm	531935	531935
28cm	531936	531936
29cm	532831	532832
30cm	532833	532834

*For dark tone add suffix D
 Fitting Instruction: 938280
 940234 Allen key, 2.5A/F (supplied with foot)

* Component weight shown is for a size 26cm, but weights vary with size. Build part numbers are for assembly guidance only and may not be for sale separately

This latest multi-axial foot, designed on biomimetic principles, combines a compliant ankle joint with e-carbon springs to offer superb gait symmetry on any chosen terrain. The plantar flexion characteristic mimics normal 1st rocker activity and the dorsi-flexion resistance works with the active toe spring to offer an energetic and naturally smooth transfer into toe-off.

- Multi-axial ankle with spherical joint
- Independent e-carbon foot springs
- Compliant plantarflexion with energy efficient dorsiflexion
- Foot shell with cosmetic attachment plate
- Spectra sock ensures silent operation
- Size range 22cm to 30cm
- 36 month warranty



Material: Carbon fibre/aluminium/elastomer joint
 Component weight: 640g size 25cm (with foot shell)
 Max. Amputee weight: 100kg sizes 22-30 K1-K4
 125kg sizes 25-30 K1-K3
 Footshell height: 70mm 22-24
 75mm 25-30
 Build height: 85mm
 Heel height: 10mm

Recommended for activity level:



Amputee Weight (kg)

Activity	44-52	53-59	60-68	69-77	78-88	89-100	101-116	117-125
K ₂	1	1	2	3	4	5	6	7
K ₃	1	2	3	4	5	6	7	8

Sizes 22-24 rated to 100kg
 Sizes 25-30 rated to 125kg

Size 25-30 only

Example

EP 25L 3

*For dark tone add suffix D

Size/side Spring set

1 Spring Kits

Rate	22-24	25-26	27-28	29-30
Set 1	539801	539810	539819	539828
Set 2	539802	539811	539820	539829
Set 3	539803	539812	539821	539830
Set 4	539804	539813	539822	539831
Set 5	539805	539814	539823	539832
Set 6	539806	539815	539824	539833
Set 7		539816	539825	539834
Set 8		539817	539826	539835

2 Glide Sock

Sizes 22 to 26 - 531011 Sizes 27 to 30 - 532811

3 Footshell

Small	Medium	Large	Extra Large
22-24	25-26	27-28	29-30
22L 539038	25L 539044	27L 539048	29L 539052
22R 539039	25R 539045	27R 539049	29R 539053
23L 539040	26L 539046	28L 539050	30L 539054
23R 539041	26R 539047	28R 539051	30R 539055
24L 539042			
24R 539043			

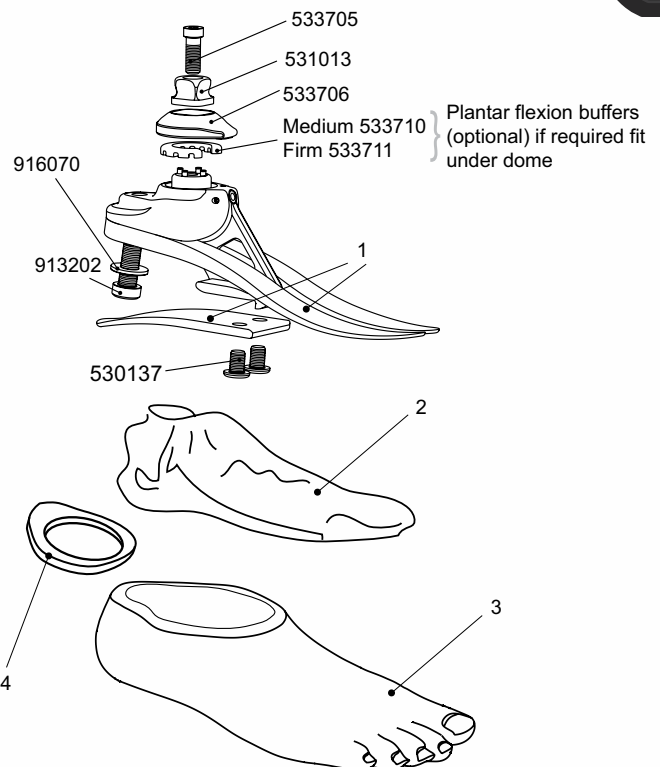
4 Cosmetic Interface*

Size	Left	Right
22cm	530138	530138
23cm	530138	530138
24cm	530138	530138
25cm	531035	531035
26cm	531035	531035
27cm	531935	531935
28cm	531936	531936
29cm	532831	532832
30cm	532833	532834

*For dark tone add suffix D

Fitting Instruction: 938276

* Component weight shown is for a size 26cm, but weights vary with size. Build part numbers are for assembly guidance only and may not be for sale separately





Low profile foot for K2/K3 amputees prides excellent energy response despite its diminutive nature. Its independent spring design promotes excellent compliance for activities on all types of surface.

- Low profile foot with e-carbon springs
- Build height suitable for long residual limbs or additional components
- Attractive foot shell with cosmetic attachment plate
- Spectra sock ensures silent operation
- Size range 22cm to 30cm
- 36 month warranty

Amputee Weight (kg)

Activity	44-52	53-59	60-68	69-77	78-88	89-100	101-116	117-125
K2	1	1	2	3	4	5	6	7
K3	1	2	3	4	5	6	7	8

Sizes 22-24 rated to 100kg
 Sizes 25-30 rated to 125kg

Size 25-30 only

Component weight: 555g*
 (with foot shell)

Max. Amputee weight: 100kg sizes 22-30
 K1-K4
 Size 25-30=125kg
 K1-K3

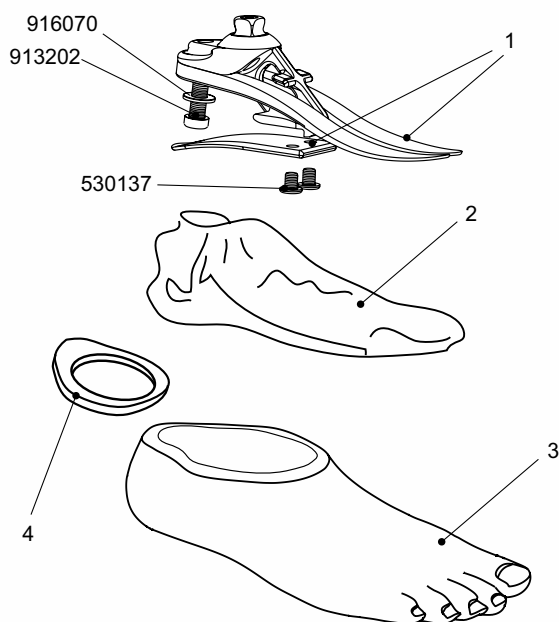
Build height: 65mm size 22-24
 70mm size 25-26
 75mm size 27-30

Heel height: 10mm

Recommended for activity level:

Example

ESP 25L 3 *For dark tone add suffix D
 Size/side Spring set



1 Spring Kits

Rate	22-24	25-26	27-28	29-30
Set 1	539801	539810	539819	539828
Set 2	539802	539811	539820	539829
Set 3	539803	539812	539821	539830
Set 4	539804	539813	539822	539831
Set 5	539805	539814	539823	539832
Set 6	539806	539815	539824	539833
Set 7		539816	539825	539834
Set 8		539817	539826	539835

2 Glide Sock

Sizes 22 to 26 - 531011 Sizes 27 to 30 - 532811

3 Footshell

Small	Medium	Large	Extra Large
22-24	25-26	27-28	29-30
22L 539038	25L 539044	27L 539048	29L 539052
22R 539039	25R 539045	27R 539049	29R 539053
23L 539040	26L 539046	28L 539050	30L 539054
23R 539041	26R 539047	28R 539051	30R 539055
24L 539042			
24R 539043			

4 Cosmetic Interface*

Size	Left	Right
22cm	530138	530138
23cm	530138	530138
24cm	530138	530138
25cm	531035	531035
26cm	531035	531035
27cm	531935	531935
28cm	531936	531936
29cm	532831	532832
30cm	532833	532834

*For dark tone add suffix D

Fitting Instruction: 938264

* Component weight shown is for a size 26cm, but weights vary with size. Build part numbers are for assembly guidance only and may not be for sale separately

Navigator foot®

This multi-axial foot with flexible keel provides super comfort and compliant gait for low to moderate amputees. The ankle centre is positioned anatomically to give good plantarflexion at heel strike and maintain support throughout mid-stance and toe-off.

- Multi-axial flexible keel
- Ball and snubber style ankle joint with various elastomer stiffness available
- Simple snubber change for foot optimisation if required
- Innovative keel shape for comfortable roll over
- Attractive foot shell with sandal toe
- Spectra sock ensures silent operation
- Size range: 22cm to 30cm



Component weight: 565g*
 Max. Amputee weight: 100kg K1-K4
 125kg K1-K3
 Build height: 105mm
 Heel height: 10mm

Recommended for activity level:

Amputee Weight (kg)

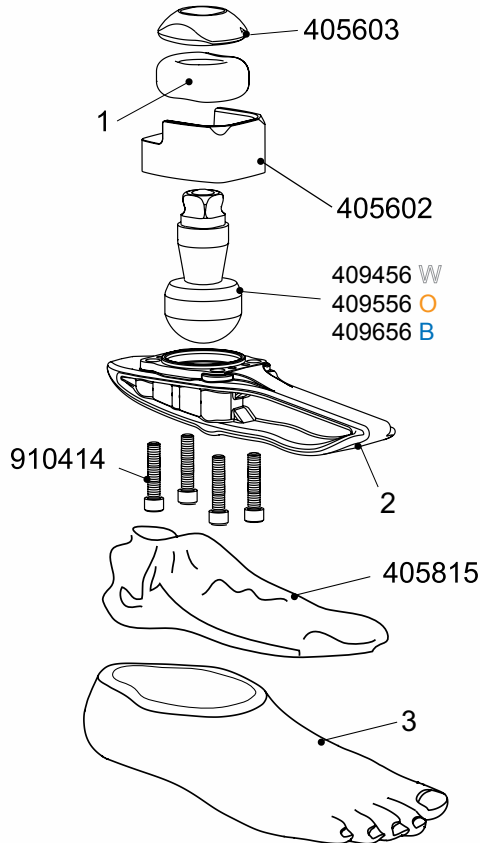
	44-52	53-59	60-68	69-77	78-88	89-100	101-125
K1	WW	WW	WW	WO	OO	OB	BB
K2	WW	WW	WO	OO	OB	BB	BB
K3	WW	WO	OO	OB	BB	BB	BB

Ball and snubber

Example



*For dark tone add suffix D



1 Snubber Kits:

60°	405605 (white)
70°	405606 (orange)
80°	405607 (blue)

2 Keel:

Small	405619
Medium	405719
Large	405819
Extra Large	405919

3 Footshell:

Left	Part Number	Right	Part Number
22L	539020	22R	539021
23L	539022	23R	539023
24L	539024	24R	539025
25L	539026	25R	539027
26L	539028	26R	539029
27L	539030	27R	539031
28L	539032	28R	539033
29L	539034	29R	539035
30L	539036	30R	539037

*For dark tone add suffix D

Cone tool (for assembly): 940083

Fitting Instruction: 938247

* Component weight shown is for a size 26cm, but weights vary with size. Build part numbers are for assembly guidance only and may not be for sale separately

Dynamic Response 2



Designed for use with the Multiflex system this dynamic response foot offers a full carbon fibre toe spring for energy return in late stance. The user can easily adjust the spring stiffness for different activity demands.

- User adjustable toe stiffness
- Multi-axial function
- Various stiffness options for plantar and dorsiflexion
- Low profile foot allows slim ankle shape
- Size range 22cm to 30cm
- 24 month warranty

Part number:

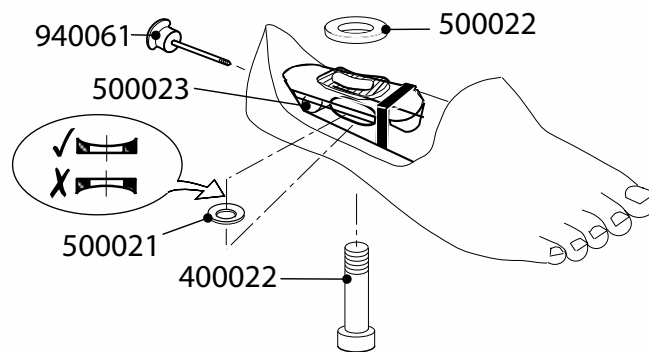
Size	Left	Right
22cm	529120	529121
23cm	529122	529123
24cm	529124	529125
25cm	529126	529127
26cm	529128	529129
27cm	529130	529131
28cm	529132	529133
29cm	529134	529135
30cm	529136	529137

Component weight:	430g*
Max. Amputee weight:	100kg K1-K4 125kg K1-K3
Build height:	55mm
Heel height:	20 ±15mm

Recommended for activity level:



Fitting Instruction: 938091



* Component weight shown is for a size 26cm, but weights vary with size. Build part numbers are for assembly guidance only and may not be for sale separately

Multiflex foot ladies

A version of Multiflex with a sole profile suitable for higher shoes. The ankle cosmesis allows manufacture of a very slim ankle shape.

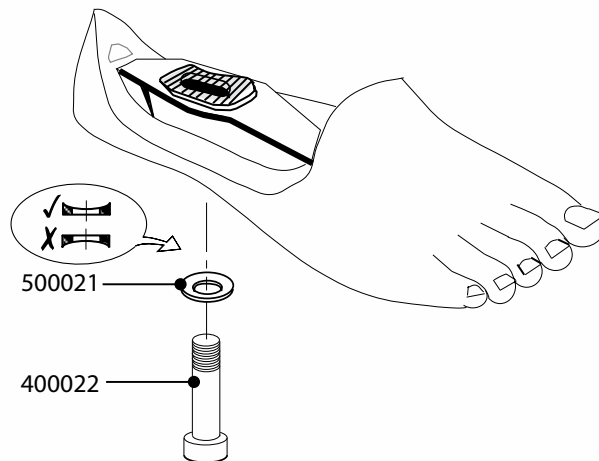
- Multi-axial function
- Various stiffness options for plantar and dorsiflexion
- Low profile foot allows slim ankle shape
- Sandal toe
- Size range 22cm to 25cm
- 24 month warranty



Component weight: 375g*
 Max. Amputee weight: 100kg K1-K4
 125kg K1-K3
 Build height: 40mm
 Heel height: 25 ± 15mm
 Recommended for activity level:

Part number:	Left	Right
Size 22cm	519141	519142
23cm	519143	519144
24cm	519145	519146
25cm	519147	519148

Fitting Instruction: 938016



* Component weight shown is for a size 26cm, but weights vary with size. Build part numbers are for assembly guidance only and may not be for sale separately

Multiflex foot standard



This foot combined with the Multiflex Ankle offers excellent multi-axial function for symmetrical gait, added comfort and security.

- Multi-axial function
- Various stiffness options for plantar and dorsiflexion
- Low profile foot allows slim ankle shape
- Sandal toe
- Size range 22cm to 30cm
- 24 month warranty

Component weight: 375g*
 Max. Amputee weight: 100kg K1-K4
 125kg K1-K3
 Build height: 40mm
 Heel height: 20 ± 15mm

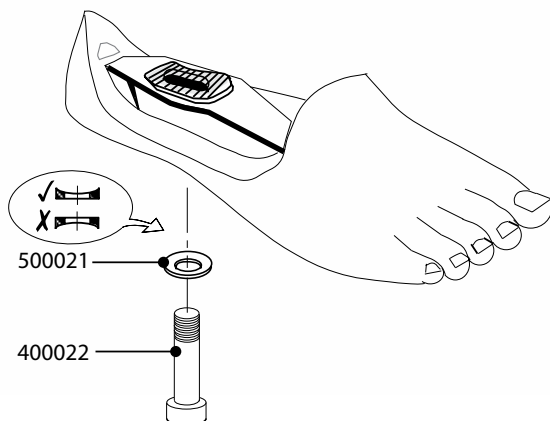
Recommended for activity level:



Part number:

Size	Left	Right
22cm	519119	519120
23cm	519121	519122
24cm	519123	519124
25cm	519125	519126
26cm	519127	519128
27cm	519129	519130
28cm	519131	519132
29cm	519133	519134
30cm	519135	519136

Fitting Instruction: 938016



Multiflex special edition



All the multi-axial benefits of the Multiflex system within a standard footshell profile.

- Multi-axial function
- Various stiffness options for plantar and dorsiflexion
- Sandal toe
- Size range 25cm to 28cm
- 24 month warranty

Component weight: 425g*
 Max. Amputee weight: 100kg K1-K4
 125kg K1-K3
 Build height: 40mm
 Heel height: 10 ± 15mm

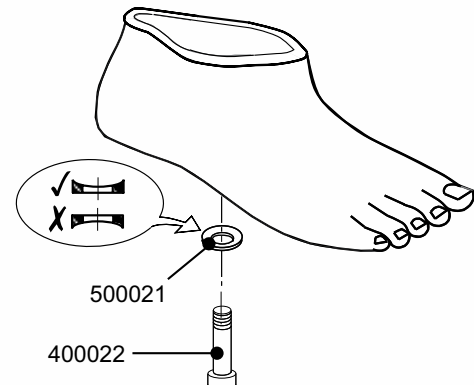
Recommended for activity level:



Part number:

Size	Left	Right
25cm	519525	519526
26cm	519527	519528
27cm	519529	519530
28cm	519531	519532

Fitting Instruction: 938211



* Component weight shown is for a size 26cm, but weights vary with size. Build part numbers are for assembly guidance only and may not be for sale separately

SuperSACH foot

SACH foot with adjustable heel cushion allows the prosthetist to enhance the roll over characteristics for each individual.

- Simple heel screw adjuster
- Robust yet lightweight foot foam
- Sandal toe
- Size range 22cm to 28cm
- 24 month warranty

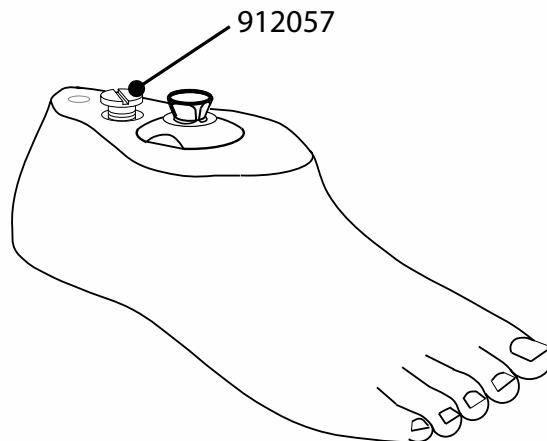


Component weight: 449g*
 Max. Amputee weight: 100kg K1-K4
 125kg K1-K3
 Build height: 70mm size 22-24
 75mm size 25-26
 80mm size 27-28
 Heel height: 19mm
 Recommended for activity level:

Part number:	Left	Right
Size		
22cm	P529101	P529102
23cm	P529103	P529104
24cm	P529105	P529106
25cm	P529107	P529108
26cm	P529109	P529110
27cm	P529111	P529112
28cm	P529113	P529114

*For dark tone add suffix D

Fitting Instruction: 938086



* Component weight shown is for a size 26cm, but weights vary with size. Build part numbers are for assembly guidance only and may not be for sale separately

PAH foot




The PAH foot offers a combination of multi-axial ankle with a unique, user adjustable heel height facility to ensure optimal alignment with various shoes.

- Heel height adjustment from 12mm to 45mm
- Easy to use adjuster tool
- Multi-axial ankle with various stiffness options
- Low profile foot allows slim ankle shape
- Sandal toe
- Size range 22cm to 25cm
- 24 month warranty

Part number:

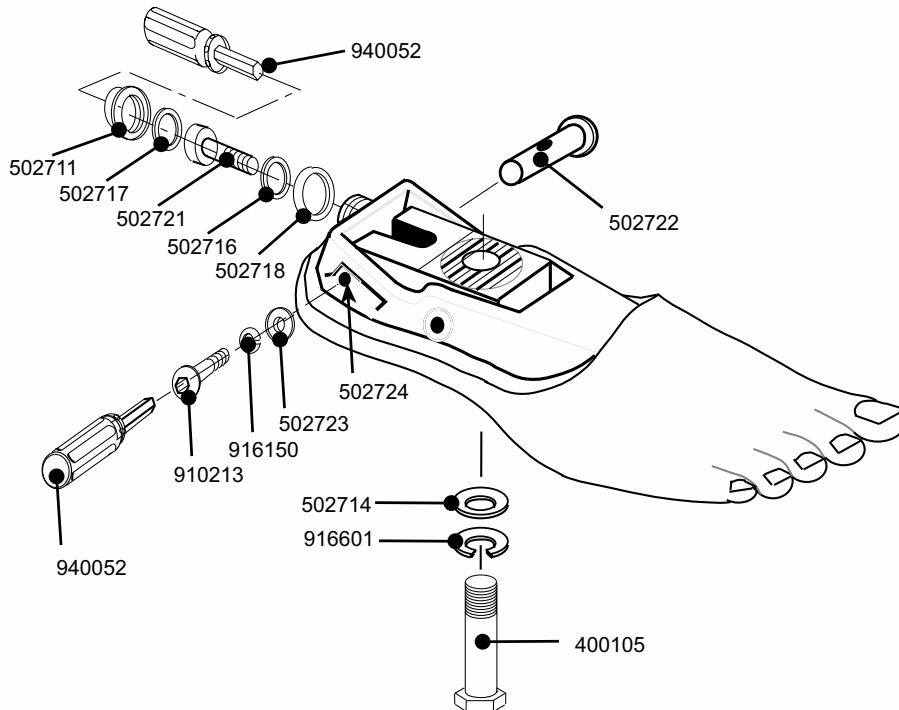
Size	Left	Right
22cm	509127	509128
23cm	509129	509130
24cm	509131	509132
25cm	509133	509134

Component weight:	495g* (size 25)
Max. Amputee weight:	80kg K1-K3
Build height:	35mm
Heel height:	12-45mm

Recommended for activity level: 

Servicing Kit - 509927

Fitting instruction: 934333



* Component weight shown is for a size 26cm, but weights vary with size. Build part numbers are for assembly guidance only and may not be for sale separately

Senior foot

This ultra lightweight foot for level 1 & 2 activity offers excellent heel cushioning for comfortable and secure gait.

- Replaceable foot shell
- Pleasant anatomical appearance with sandal toe
- Flexible keel for comfort
- Integral titanium pyramid
- Heel cushion ensures secure gait
- Size range 22cm to 28cm
- 24 month warranty



Component weight: 395g*
 Max. Amputee weight: 125kg K1-K2
 Build height: 70mm size 22-24
 75mm size 25-26
 80mm size 27-28
 Heel height: 19mm
 Recommended for activity level:

Part number: SNR size side

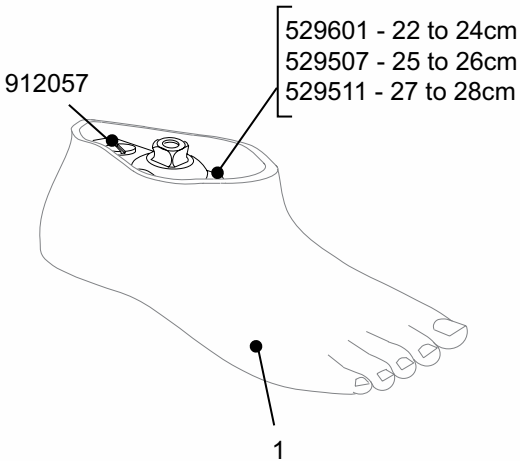
Ordering example: SNR 23 L
 *For dark tone add suffix D

1 Footshell:

Size	Left	Right
22cm	529701	529702
23cm	529703	529704
24cm	529705	529706
25cm	529707	529708
26cm	529709	529710
27cm	529711	529712
28cm	529713	529714

*For dark tone add suffix D

Servicing Kit - 509927
 Fitting instruction: 938163



* Component weight shown is for a size 26cm, but weights vary with size. Build part numbers are for assembly guidance only and may not be for sale separately

Aqualimb



80 kg



100kg

A prosthesis with integral cosmesis designed for barefoot use in the shower and wet environments. The moulded components are very quick to assemble: simply cut to correct height, align socket and reposition cosmesis.

- Integral shin flexure and cosmesis
- Rapid assembly
- Full alignment device included
- Anti-slip tread pattern on sole
- 24 month warranty

Please call Customer services on lead time on 80kg Aqualimb

Component weight: 1.39kg* 100kg
 Max. Amputee weight: 80kg K1-K2
 100kg K1-K2
 Build height: 280 to 415mm 100kg
 100 to 415mm 80kg
 Recommended for activity level:

100kg Part number:

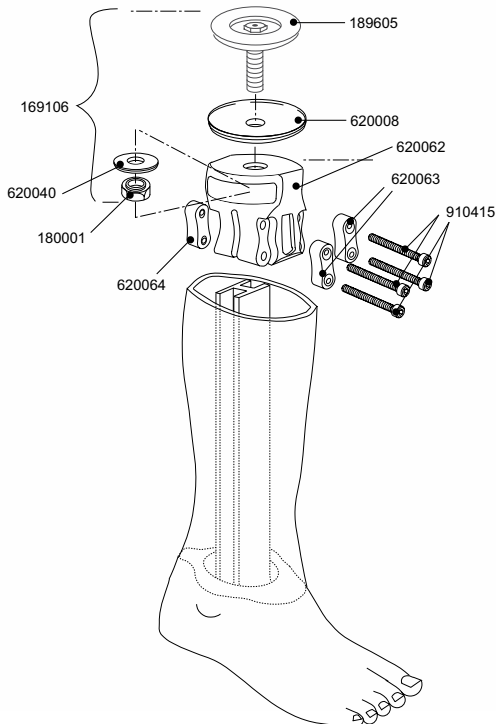
Size	Left	Right
22cm	629705L	629706L
23cm	629707L	629708L
24cm	629709L	629710L
25cm	629711L	629712L
26cm	629713L	629714L
27cm	629715L	629716L

80kg Part number:

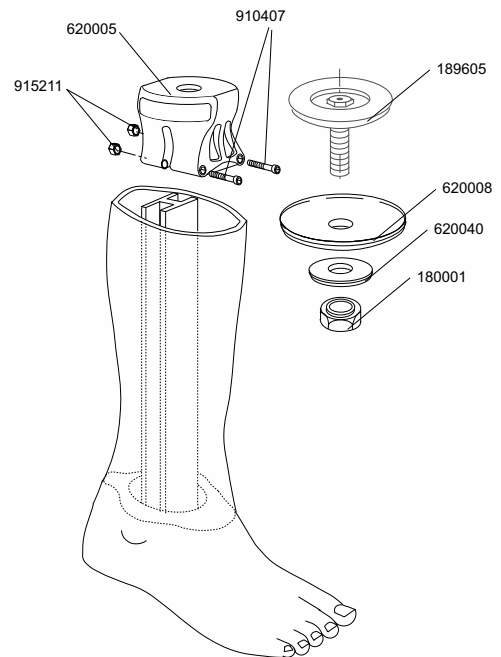
Size	Left	Right
22cm	629405LF	629406LF
23cm	629407LF	629408LF
24cm	629409LF	629410LF
25cm	629411LF	629412LF
26cm	629413LF	629414LF
27cm	629415LF	629416LF

Fitting Instruction: 80kg - 938123
 100kg - 938255

100kg

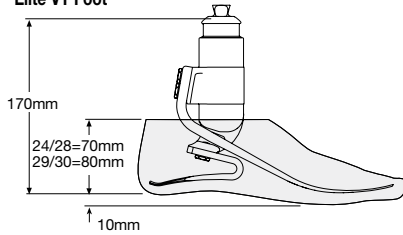


80kg

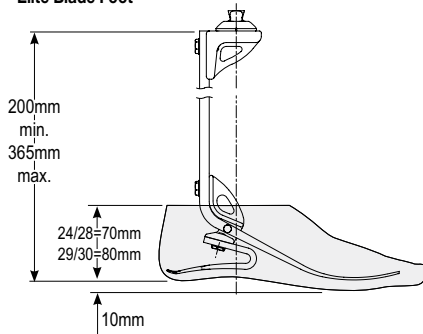


* Component weight shown is for a size 26cm, but weights vary with size. Build part numbers are for assembly guidance only and may not be for sale separately

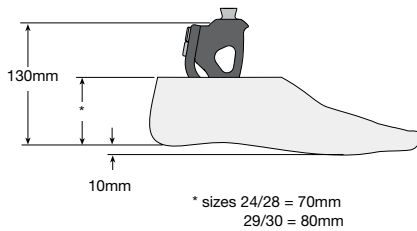
Elite VT Foot



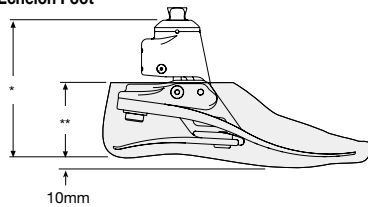
Elite Blade Foot



Elite Foot



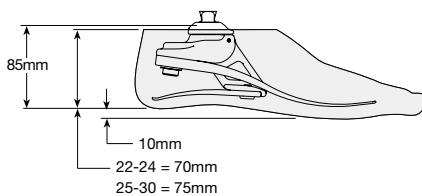
Echelon Foot



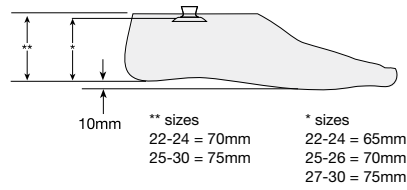
* sizes
22 - 24 = 115mm
25 - 26 = 120mm
27 - 30 = 125mm

** sizes
22 - 24 = 70mm
25 - 30 = 75mm

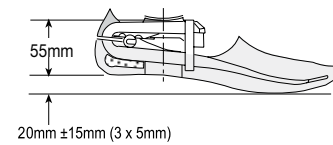
Epirus Foot



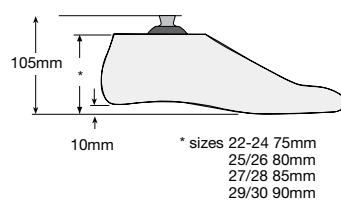
Esprit Foot



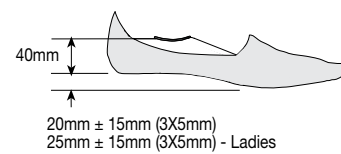
Dynamic Response Foot



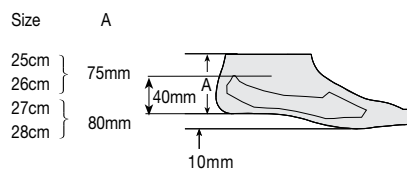
Navigator Foot



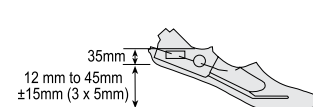
Multiflex Foot



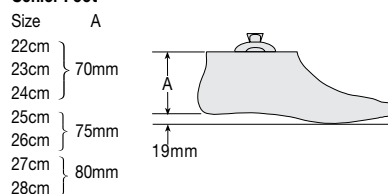
Multiflex Special Edition Foot



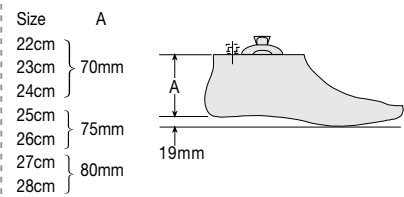
PAH Foot



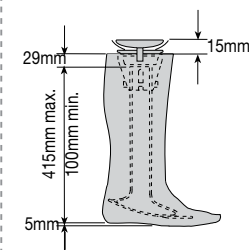
Senior Foot



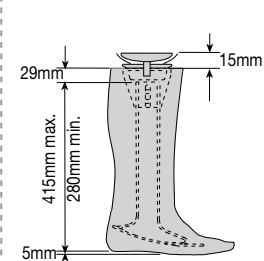
Super SACH Foot



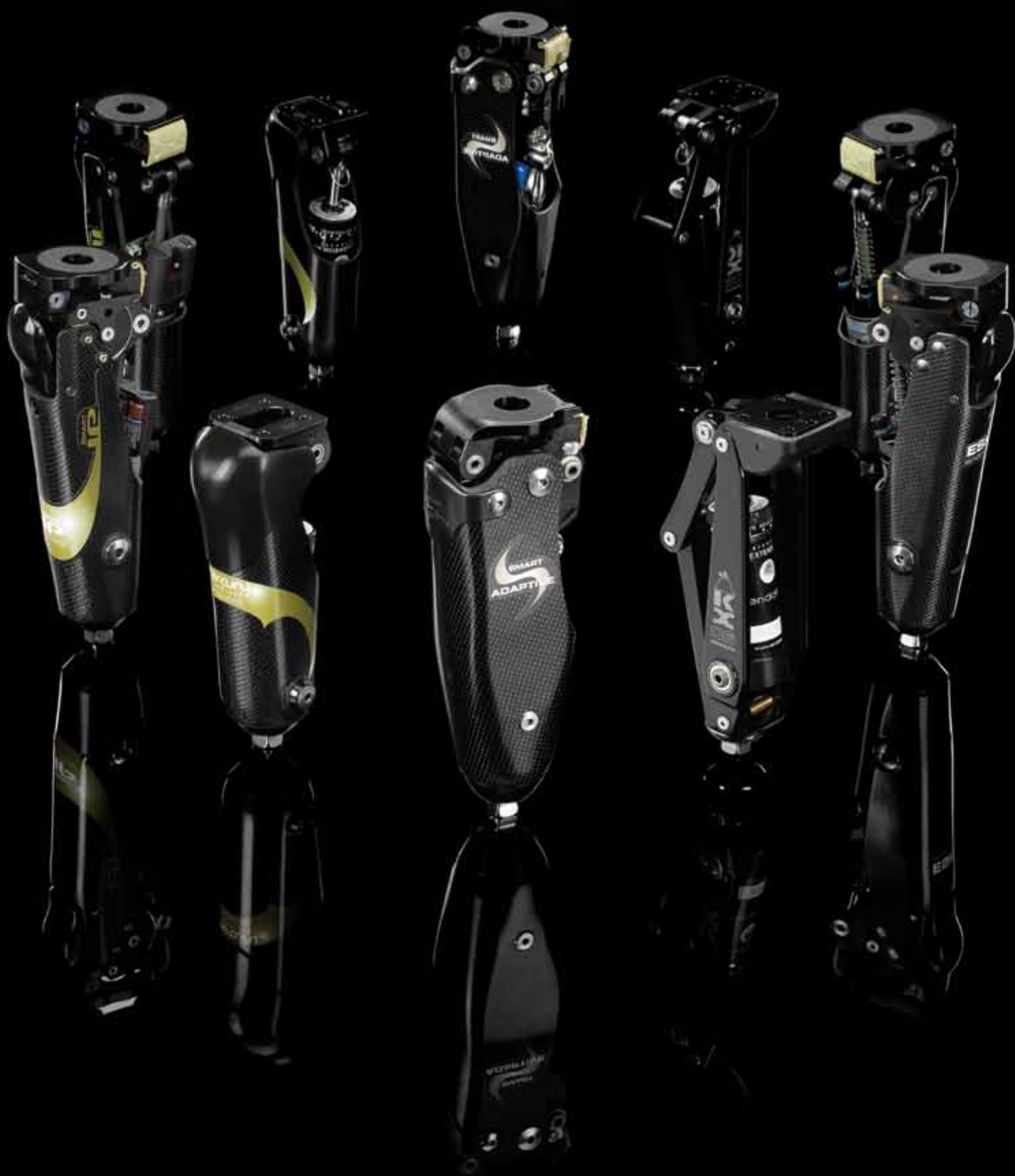
Aqualimb 80kg



Aqualimb 100kg









Level 1 Low Impact	Level 2 Low Impact	Level 3 Moderate Impact	Level 4 Moderate Impact	Level 4 High Impact
			KX06	
			Mercury Hi-Activity	
		Smart Adaptive		
	Smart IP			
	ESK IP+			
	ESK PSPC			
	4-Bar PSPC			
	ESK MKL PSPC			
EUK SAKL				
4-Bar PSPC				
SAKL				

Knees



KNEES


KX06



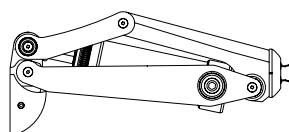
The KX06 is a unique polycentric knee with hydraulic swing and stance control, which delivers truly active gait with enhanced transition from stance to swing. The geometric and hydraulic combination draws on the best functionality of each to enhance the overall gait smoothness on all terrain from flat to steep slopes

- Polycentric knee with hydraulic swing and stance
- 150kg weight limit
- 160 degrees of knee flexion
- Multiple proximal adapter choices
- Distal pyramid
- 3 year warranty

Material: Aluminium
 Component weight: 1.22kg
 Max. Amputee weight: 145kg K1-K4
 150kg K1-K3
 Build height: see page 55
 Control unit: CaTech Hydraulics

Recommended for activity level: 

Module Part numbers



KX06
 KX06-SWING

Accessories:

- 239254** - Cylinder fitting kit
- 169207** - KX06 single bolt proximal alignment kit
- 169307** - KX06 M36 adaptor kit

Fitting Instructions:
 938271

Socket Adaptors



EP-MSR

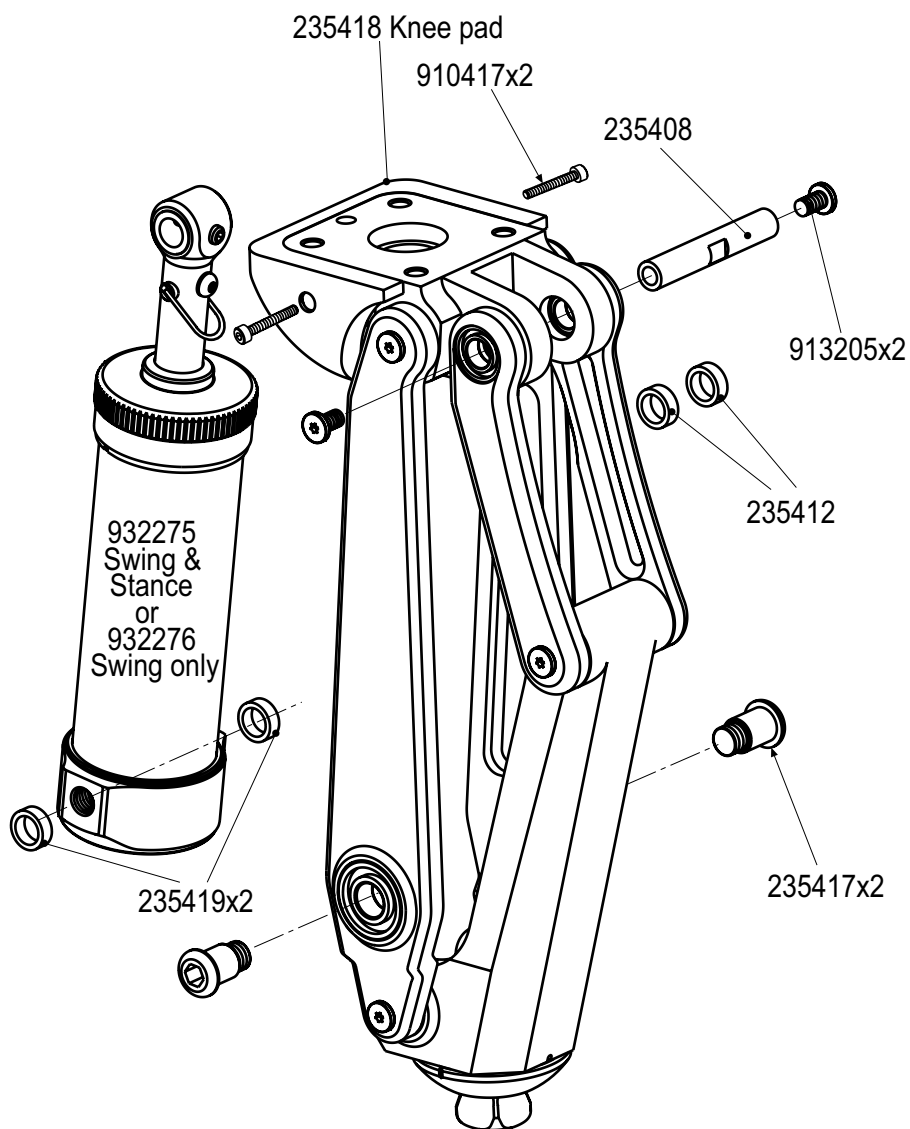
EP-FSR

P189310

169307

169207

Build part numbers are for assembly guidance only and may not be for sale separately



Build part numbers are for assembly guidance only and may not be for sale separately

Mercury Hi-Activity




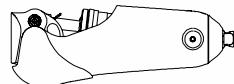
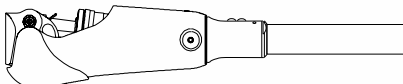
A robust, single axis knee for highly active amputees. Rated to 150kg this knee combines a carbon fibre frame with needle roller bearings and a 700Rex hydraulic swing and stance control

- Tough carbon fibre frame
- Long life needle roller bearings
- Reinforced REX hydraulic unit
- Durable urethane kneeler pad
- 125° of knee flexion
- 36 month warranty on hydraulic unit and frame

Material: Carbon fibre/Aluminium
 Component weight: 1.13kg
 Max. Amputee weight: 145kg K1-K4
 150g K1-K3
 Build height: see page 55
 Control unit: CaTech Hydraulics

Recommended for activity level: 

Module Part numbers

	MH30 MH30 SWING
	MHPYR MHPYR SWING
	MHTTPRO MHTTPRO-SWING

Accessories:

239031 - Fitting kit

Fitting Instructions:
938216

Socket Adaptors



EP-MSR EP-FSR P189310 239017 239032


Build part numbers are for assembly guidance only and may not be for sale separately

Mercury Discontinuous Cosmesis Kit

The discontinuous design allows unimpeded knee flexion and extension with a shaped anatomical limb finish option. Unlike standard systems in which the knee foam spans the knee joint and affects gait characteristics the Mercury Discon ensures natural knee flexion at a high performance level.

- Knee ball with cosmetic finishing options
- Tough carbon fibre frame
- Rated to 150kg max usage
- Long life needle roller bearings
- Reinforced REX hydraulic unit
- Durable urethane kneeler pad
- 36 month warranty on hydraulic unit and frame



Material: Carbon fibre/Aluminium
 Component weight: 1.3kg
 Max. Amputee weight: 145kg K1-K4
 150kg K1-K3
 Build height: see page 55
 Control unit: CaTech Hydraulics
 Recommended for activity level: 

Fitting Instructions:
 938251
 938216



Pyramid version not shown

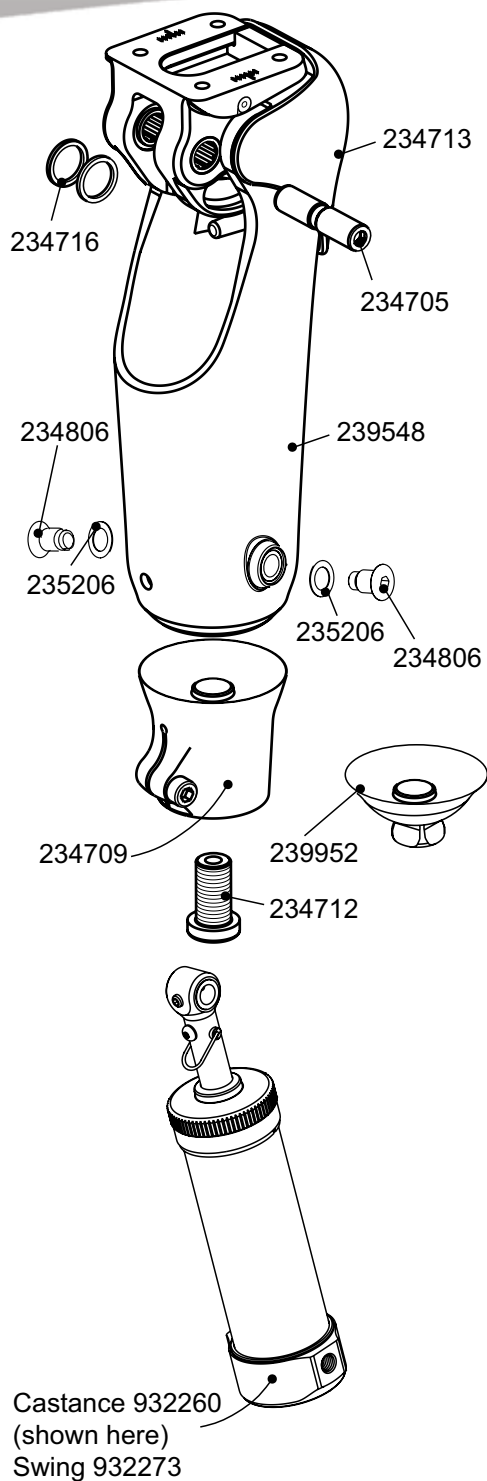
Distal attachment and cylinders	Discon Small *100mm with cylinder	Discon Medium *110mm with cylinder	Discon Small *100mm no cylinder	Discon Medium *110mm no cylinder
30mm Castance	MHD30S	MHD30M	239037	239038
Pyramid Castance	MHDPYRS	MHDPYRM	239040	239041

Supplied with knee ball and support sleeve
 Shin only - 239752

See page 118 for cosmesis kits

Build part numbers are for assembly guidance only and may not be for sale separately

Mercury Hi-Activity



Build part numbers are for assembly guidance only and may not be for sale separately

Smart Adaptive knee


Microprocessor control for active amputees. New Smart programming mode reduces programming time and allows the knee to learn to match the individual's gait from the onset.

It adapts simply to the most complex terrain. The sensors within the system analyse speed, slopes, stairs and other parameters giving a secure, active and instantaneous response.

- Microprocessor hybrid control - hydraulic stance, pneumatic swing
- Specific support levels for stairs and slopes
- 140° knee flexion
- Smart Programming
- Stumble and stance support mode
- Smart Card for program storage
- Works with any choice of prosthetic foot
- On-board batteries last up to 14 days on a single charge*

*High support programs will need more frequent charging

Material:	Carbon fibre/Aluminium
Component weight:	1.4kg
Max. Amputee weight:	100kg K1-K4 125kg K1-K3
Build height:	see page 56
System diameter:	30/pyr/TTPRO
Control unit:	Hydraulic/Pneumatic
Microprocessor	

Recommended for activity level: 

Part number:

SMART ADAPTIVE-XX: Smart Adaptive Knee (where XX = country code eg FR = France, US = USA)

Accessories:

019173-XX: Blatchford Communication Device
950095 - Smart card

239047 - Replacement Cable Kit
950206 - Battery Pack
950210 - Rechargeable Battery Pack
938288 - Cable kit
239047 - Smart Adaptive Cable replacement kit

Fitting Instructions:
938287A4 - Book
938287CD - CD
938285 - user Information
938286 - quick start guide



Programmer sold separately

Part number:

(where XX = country code eg FR = France, US = USA)
019173 - XX

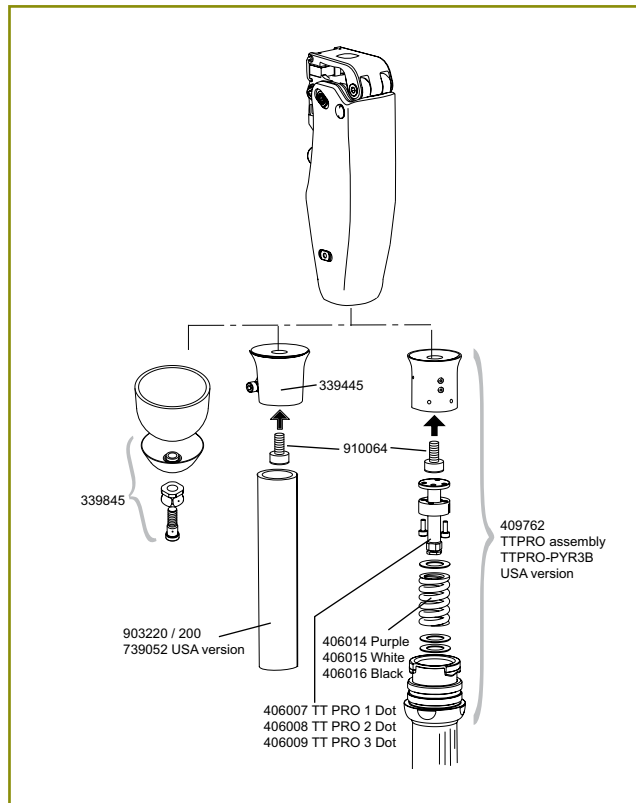
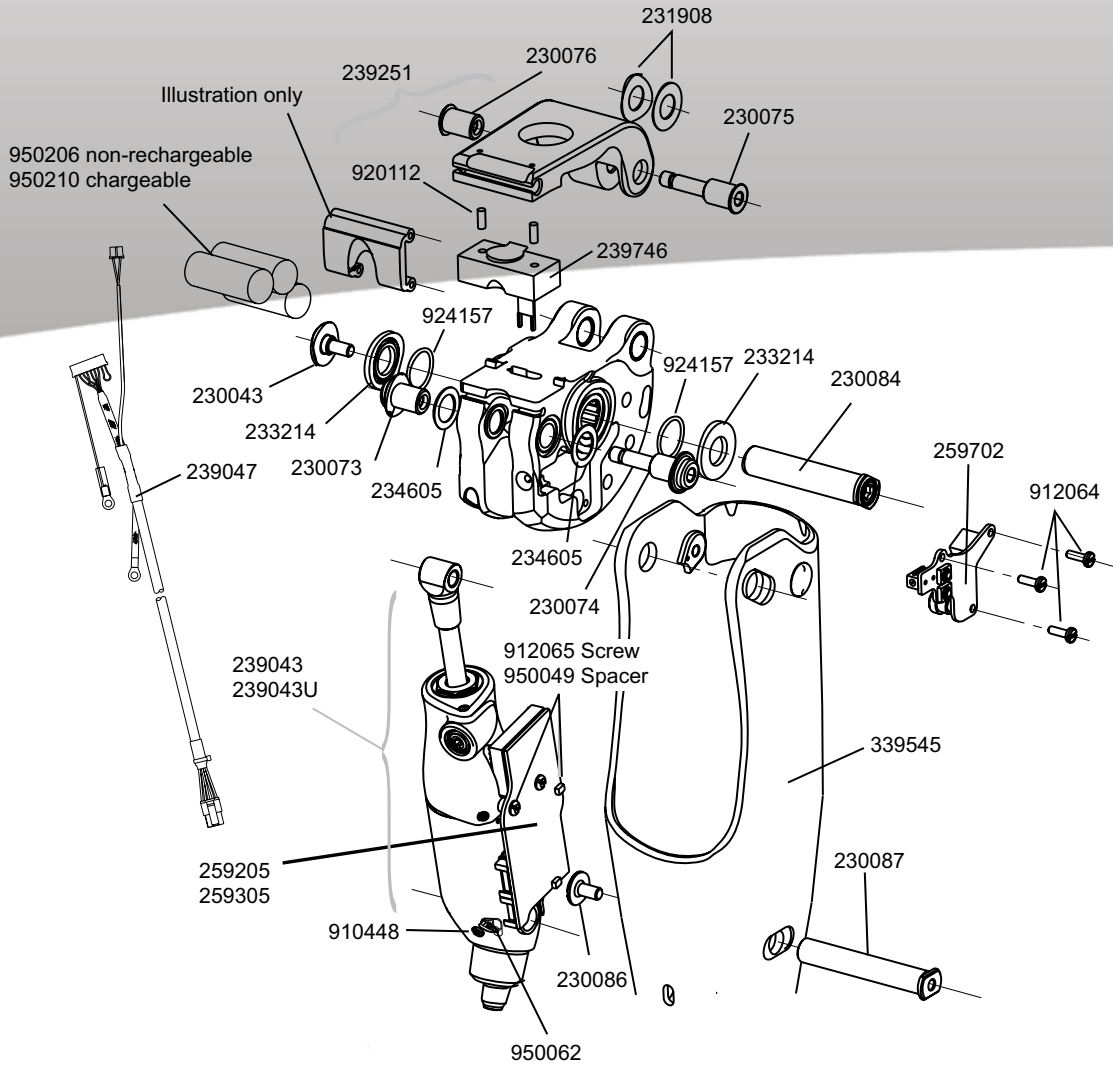
950095 - Smart card

Socket Adaptors



409041 409042 189806 189123 (rotation) 189127

Smart Adaptive knee




Build part numbers are for assembly guidance only and may not be for sale separately

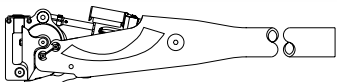
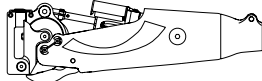
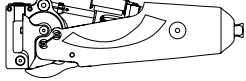
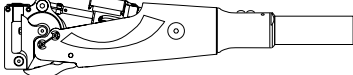
The SmartIP employs intelligent programming technology that dynamically programs the knee to optimum swing settings for the individual user, reducing the amount of energy expended by trans-femoral amputees. The knee self-programs and optimises gait to the individual's own walking style, it can be safely re-programmed by the amputee at any time to perfect the limb after shoe changes e.g. from light-weight shoes to heavy boots.

- Enhanced range of walking speeds, and smoother gait through program optimisation
- Allows comfortable gait at slow speeds
- Stanceflex option improves comfort
- Battery life expectancy 9-12 mths under normal usage
- 140° knee flexion
- Distal pyramid, full shin or clamp options

Material: Carbon fibre/Aluminium
 Component weight: 1.27kg
 Max. Amputee weight: 100kg K1-K4
 125kg K1-K3
 Build height: see page 57
 System diameter: 30/35/pyr
 Control unit: Smart IP processor

Recommended for activity level: 

Module **Part numbers**

	SMARTIPSFF
	SMARTIPSF30
	SMARTIPSFPYR
	SMARTIPSFTTPRO-RODSRING

Example: Knee + TTPro = SMARTIPSFTTPRO- 3 B
rod spring

Careful selection of Stanceflex rubber is essential as it influences the action of the unit (see fitting information)

Soft		Hard	
25°	35°	45° *	70°
231608	231606	231607	231609

Fitted as * standard

Fitting Instructions:
 938250 - fitting instructions
 938238 - cylinder
 938249 - user instructions



Programmer sold separately

Part number:

(where XX = country code
 eg FR = France, US = USA)
019173 - XX

950095 - Smart card

Socket Adaptors



409041 409042 189806 189123 (rotation) 189127

Build part numbers are for assembly guidance only and may not be for sale separately

Smart IP® 4-bolt



The SmartIP employs intelligent programming technology that dynamically programs the knee to optimum swing settings for the individual user, reducing the amount of energy expended by trans-femoral amputees. The knee self-programs and optimises gait to the individual's own walking style, it can be safely re-programmed by the amputee at any time to perfect the limb after shoe changes e.g. from light-weight shoes to heavy boots.

- Enhanced range of walking speeds, and smoother gait through program optimisation
- Allows comfortable gait at slow speeds
- Battery life expectancy 9-12 mths under normal usage
- 140° knee flexion
- 4-bolt proximal attachment
- Distal pyramid, full shin or clamp options

Material: Carbon fibre/Aluminium
 Component weight: 1.27kg
 Max. Amputee weight: 100kg K1-K4
 125kg K1-K3
 Build height: see page 57
 System diameter: 30/35/pyr
 Control unit: Smart IP processor
 Recommended for activity level:

Module	Part numbers
	SMARTIP4BF
	SMARTIP4B30
	SMARTIP4BPYR
	SMARTIP4BTTPRO-RODSRING

Example: Knee + TTPro = SMARTIP4BTTPRO-3B
rod spring



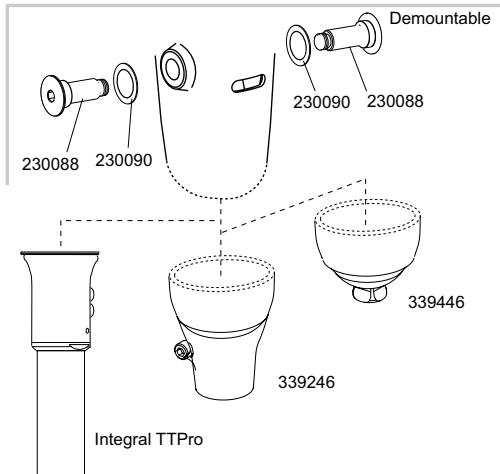
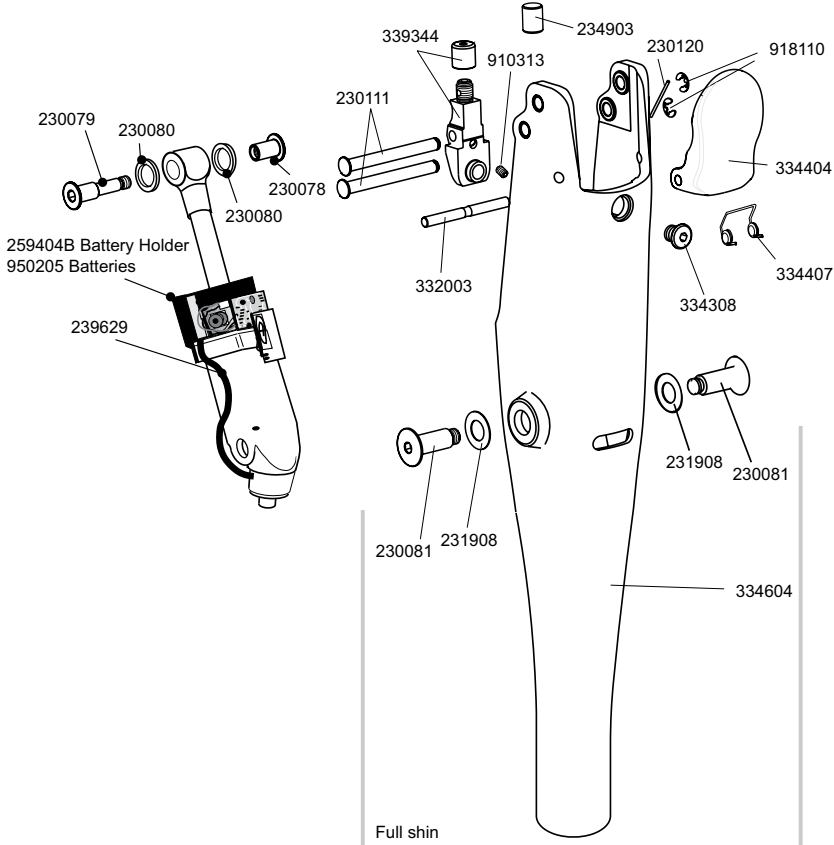
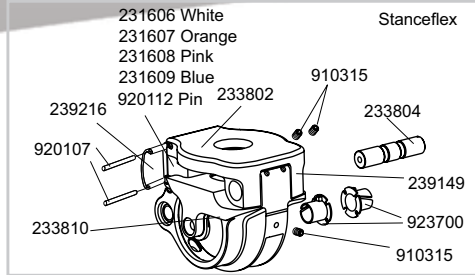
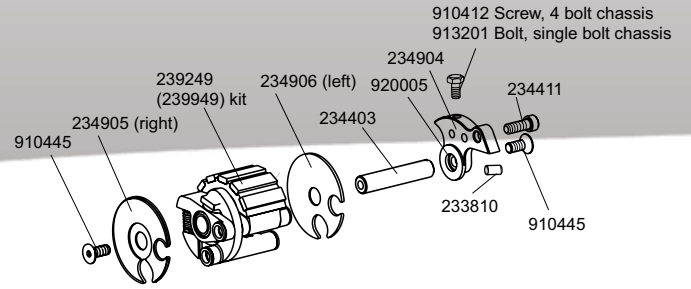
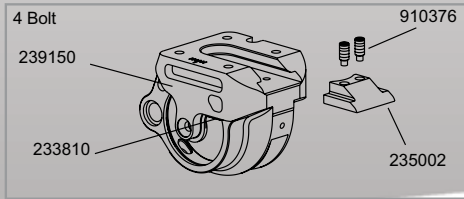
Programmer sold separately
Part number:
 (where XX = country code
 eg FR = France, US = USA)
019173 - XX
950095 - Smart card



Fitting Instructions:
 938250 - fitting instructions
 938238 - cylinder
 938249- user instructions

Build part numbers are for assembly guidance only and may not be for sale separately

Smart IP® Stanceflex, Smart IP® 4-bolt



Build part numbers are for assembly guidance only and may not be for sale separately



ESK+ Stanceflex with IP+



Microprocessor controlled swing phase combined with a weight activated stabilising mechanism with Stanceflex option.

The knee is programmed for each individual using a remote hand-held programming device. It offers subtle speed changes right down to very slow walking.

- Microprocessor controlled swing phase
- Remote hand-held programmer
- Weight activated stance control
- Adjustable Stanceflex option
- Battery life expectancy 9-12 months under normal usage
- 140° of knee flexion •

Material: Carbon fibre/Aluminium
 Component weight: 1.27kg
 Max. Amputee weight: 100kg K1-K4
 125kg K1-K3
 Build height: see page 57
 System diameter: 30/35/pyr
 Control unit: IP+ Microprocessor

Recommended for activity level:

Module Part numbers

Module	Part numbers
UK only	
418Mhz	
	ESKSFIPF
	ESKSFIP30 ESKSFIP35
	ESKSFIPPYR
	ESKSFITTPRO

Outside UK (433Mhz) add "E" to part number where shown

ESKSFIFE
 ESKSFIFE30
 ESKSFIFE35
 ESKSFIFEPPYR
 ESKSFITTPRO

Careful selection of Stanceflex rubber is essential as it influences the action of the unit (see fitting information)

Soft			Hard	Fitted as* standard
25°	35°	45°*	70°	
231608	231606	231607	231609	

IP+ programmer sold separately



Part number:

019142 UK - 418MHz
 019142E Outside UK - 433MHz

Socket Adaptors



Fitting Instructions:
 938194 - alignment/stability
 938192 - Stanceflex ESK+
 938205 - 4 Bolt ESK+
 938035 - IP+ universal

See page 62 for details of IP+ programmers

Build part numbers are for assembly guidance only and may not be for sale separately


ESK+ 4-bolt with IP+

Microprocessor controlled swing phase combined with a weight activated stabilising mechanism. This combination offers a secure knee with an excellent range of swing speeds from very slow to speed walking.

The knee is programmed for each individual using a remote hand-held programming device.

- Microprocessor controlled swing phase
- Remote hand-held programmer
- Weight activated stance control
- Battery life expectancy 9-12 months under normal usage
- 140° of knee flexion
- Simple access for stability adjustment
- Pyramid, full shin or tube clamp distal options
- 4-bolt proximal attachment

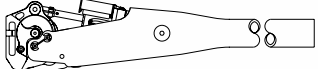
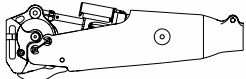

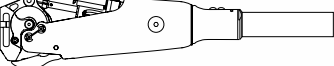
Material: Carbon fibre/Aluminium
 Component weight: 1.15kg
 Max. Amputee weight: 100kg K1-K4
 125kg K1-K3
 Build height: see page 57
 System diameter: 30/35/pyr
 Control unit: IP+ Microprocessor

Recommended for activity level: 



Module Part numbers

UK only

418Mhz	
	ESK4BIPF
	ESK4BIP30 ESK4BIP35
	ESK4BIPPYR
	ESK4BIPTTPRO

Outside UK (433Mhz) add "E" to part number where shown
 ESK4BIPEF
 ESK4BIPE30
 ESK4BIPE35
 ESK4BIPEPYR
 ESK4BIPETTPRO

Fitting Instructions:
 938194 - alignment/stability
 938192 - Stanceflex ESK+
 938205 - 4 Bolt ESK+
 938035 - IP+ universal



IP+ programmer sold separately

Part number:

019142 UK - 418MHz
019142E Outside UK - 433MHz

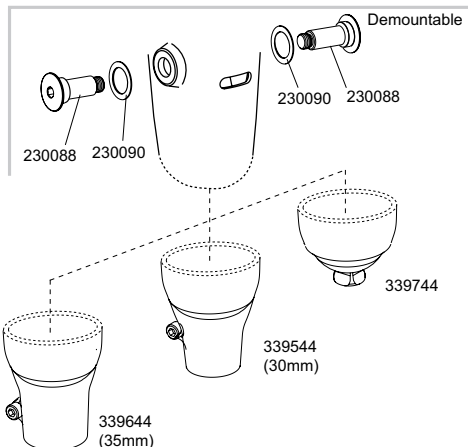
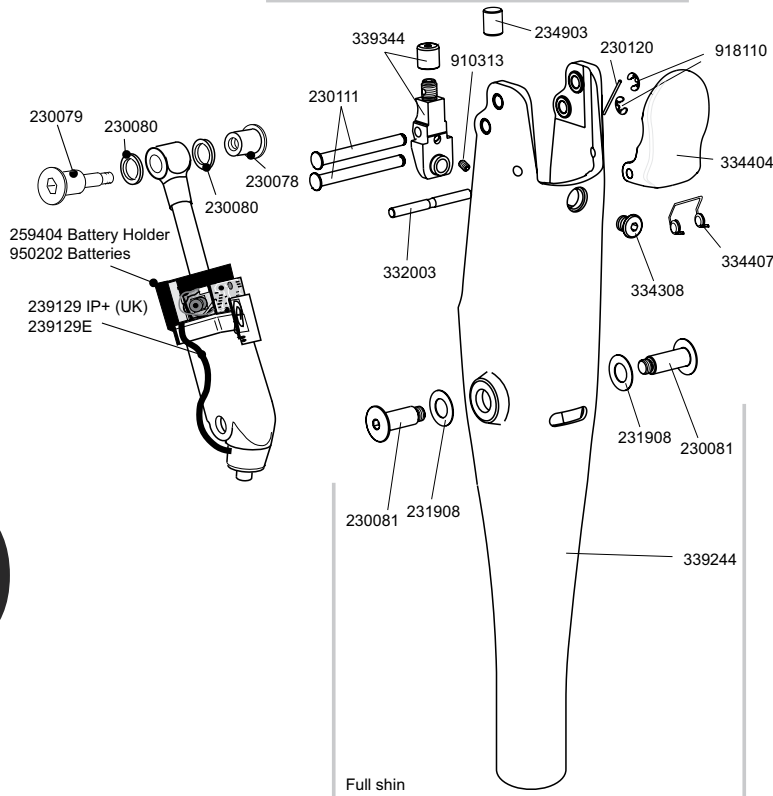
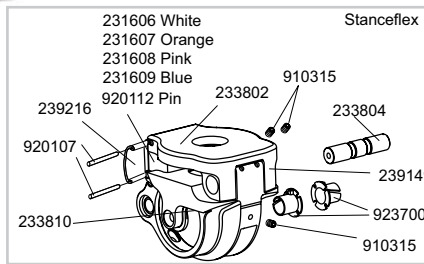
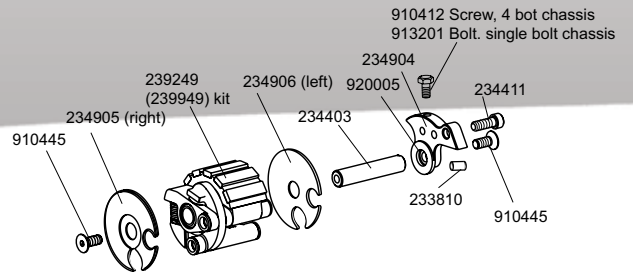
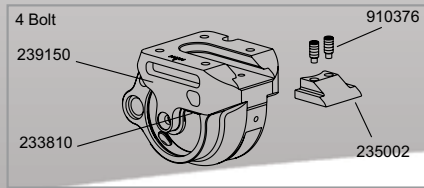
Socket Adaptors



See page 62 for details of IP+ programmers

Build part numbers are for assembly guidance only and may not be for sale separately

ESK+ Stanceflex with IP+ & ESK+ 4-bolt with IP+




Build part numbers are for assembly guidance only and may not be for sale separately

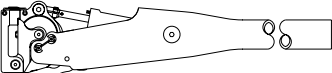

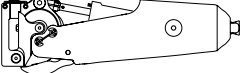
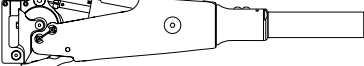
ESK+ Stanceflex with PSPC

The weight activated stabilising mechanism that also includes a Stanceflex option, offers amputees a sophisticated brake that yields as body weight is transferred to the other limb.

The adjustable pneumatic control provides flexion and extension resistance during swing phase. The device is designed for walking at a regular pace.

- Weight activated stance control
- Pneumatic Swing Phase
- Adjustable Stanceflex
- 140° of knee flexion
- Simple access for stability adjustment
- Pyramid, full shin or tube clamp distal options

Material:	Carbon fibre/Aluminium
Component weight:	1.13kg
Max. Amputee weight:	100kg K1-K4 125kg K1-K3
Build height:	see page 57
System diameter:	30/35/pyr
Control unit:	Pneumatic
Recommended for activity level:	

Module	Part numbers
	ESKSFPF
	ESKSFP30 ESKSFP35
	ESKSFPYPYR
	ESKSFPPTPRO

Careful selection of Stanceflex rubber is essential as it influences the action of the unit (see fitting information)

Soft			Hard	
25°	35°	45°*	70°	Fitted as* standard
231608	231606	231607	231609	

Fitting Instructions:

938194 - alignment/stability
938192 - Stanceflex ESK+
938205 - 4 Bolt ESK+
938057 - PSPC

Socket Adaptors



Build part numbers are for assembly guidance only and may not be for sale separately

ESK+ 4-bolt with PSPC



The weight activated stabilising mechanism offers amputees a sophisticated brake that yields as body weight is transferred to the other limb.

The adjustable pneumatic control provides flexion and extension resistance during swing phase. The device is designed for walking at a regular pace.

- Weight activated stance control
- 140° of knee flexion
- Simple access for stability adjustment
- Pyramid, full shin or tube clamp distal options
- 4-bolt proximal attachment
- Pneumatic Swing Phase Control

Material: Carbon fibre/Aluminium
 Component weight: 1.15kg
 Max. Amputee weight: 100kg K1-K4
 125kg K1-K3
 Build height: see page 57
 System diameter: 30/35/pyr
 Control unit: Pneumatic

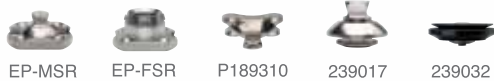
Recommended for activity level:



Module	Part numbers
--------	--------------

	ESK4BPF
	ESK4BP30 ESK4BP35
	ESK4BPPYR
	ESK4BPTTPRO

Socket Adaptors

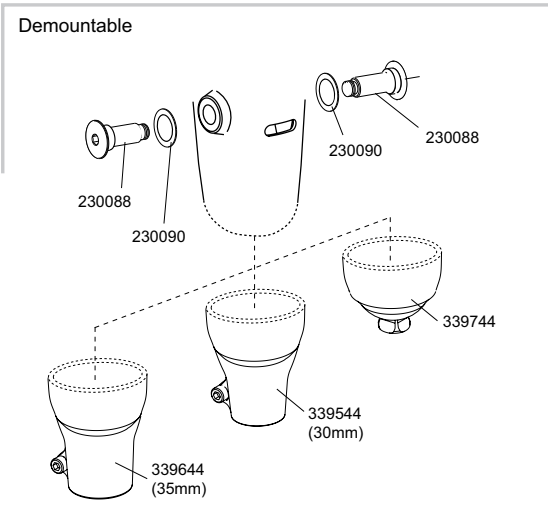
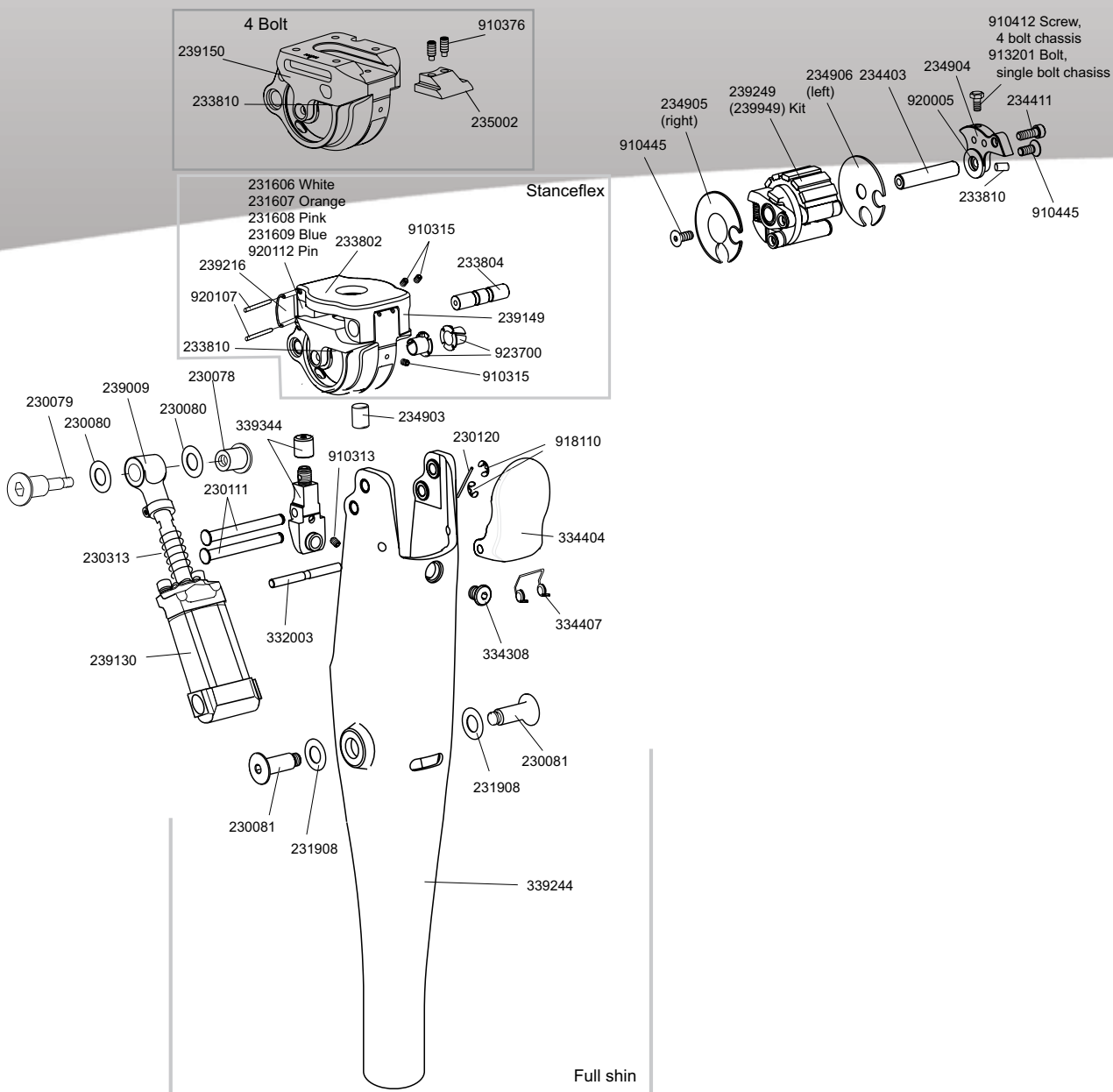


EP-MSR EP-FSR P189310 239017 239032

Fitting Instructions:
 938194 - alignment/stability
 938205 - 4 Bolt ESK+
 938057 - PSPC

Build part numbers are for assembly guidance only and may not be for sale separately

ESK+ Stanceflex & ESK+ 4-bolt with PSPC



Build part numbers are for assembly guidance only and may not be for sale separately




4-Bar knee disarticulation with PSPC



The pneumatic swing phase control option on this carbon linkage knee provides a mid-range speed control combined with geometrically stable stance phase for low to moderate activity users. The low profile proximal build height is eminently suitable for knee disarticulation amputations.

- Geometrically stable stance phase
- Pneumatic swing phase control
- 125° knee flexion
- Linkage format provides good sitting cosmesis
- Proximal dome socket attachment
- 35mm distal clamp

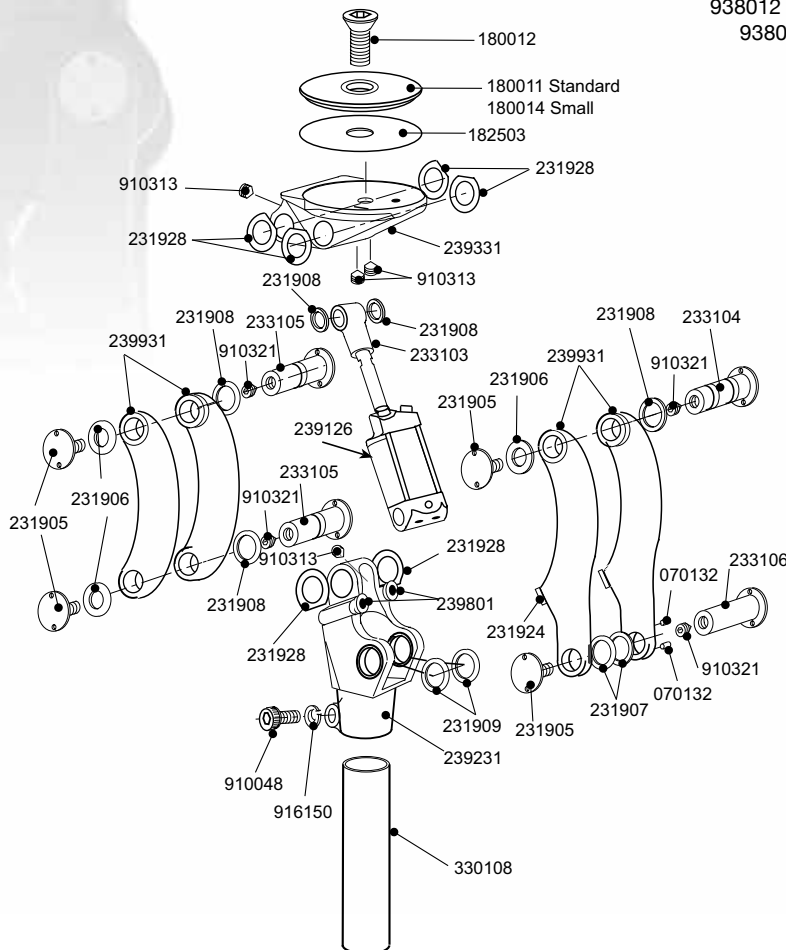
Material:	Carbon fibre/Aluminium
Component weight:	888g
Max. Amputee weight:	100kg K1-K3
Build height:	see page 57
System diameter:	35mm
Control unit:	Pneumatic

Recommended for activity level: 

Part number:

019136 - Slim Four Bar Knee (PSPC)

Fitting Instructions:
938012 - Slim E4BKD
938057 - PSPC




Build part numbers are for assembly guidance only and may not be for sale separately

ESK+ Manual knee lock with PSPC

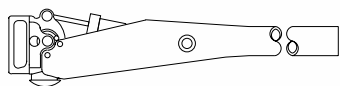
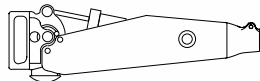
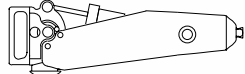
A unique knee design, which provides a weight activated stabilizing knee with pneumatic swing control for natural free knee walking and which also provides a manually operated lock for periods when the wearer requires the security of a locked knee. Popular with people who frequently work in standing position.

- Weight activated stance control with lock option
- Pneumatic swing control
- Manual user operated lock
- 115° knee flexion
- Simple access for stability adjustment
- Universal thigh release lock operation
- Proximal full alignment
- Pyramid, full shin or tube clamp distal Options

Material: Carbon fibre/Aluminium
 Component weight: 1.2kg
 Max. Amputee weight: 100kg K1-K4
 125kg K1-K3
 Build height: see page 57
 System diameter: 30/35/pyr
 Control unit: Manual lock & Pneumatic

Recommended for activity level: 

Module Part numbers

	ESKSBMKLPPF
	ESKSBMKLP30 ESKSBMKLP35
	ESKSBMKLPPYR

Accessories:

239640 - Thigh release kit

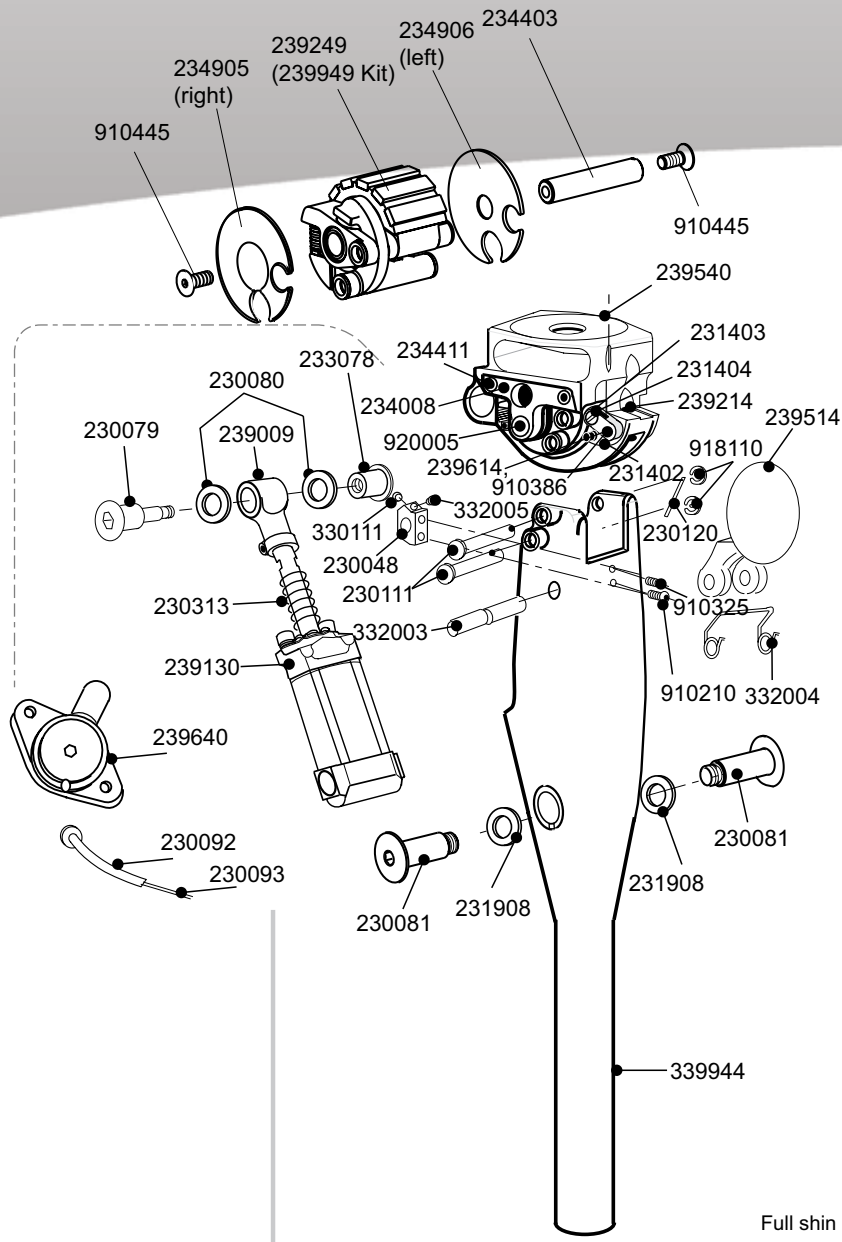
Fitting Instructions:
 938096 - Thigh Release
 938057 - PSPC

Socket Adaptors

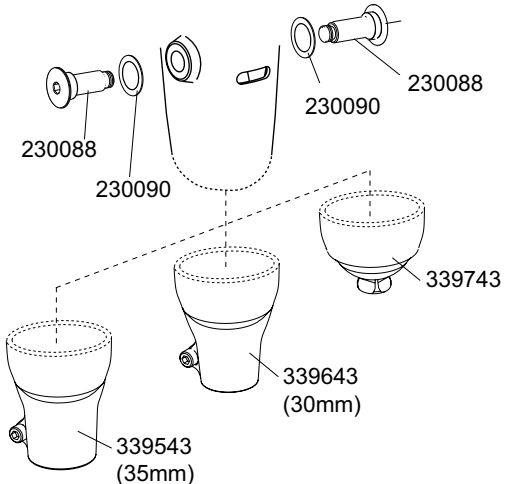


Build part numbers are for assembly guidance only and may not be for sale separately

ESK+ Manual knee lock with PSPC



Demountable




Build part numbers are for assembly guidance only and may not be for sale separately



EUK with SAKL, EUK 4-bolt with SAKL

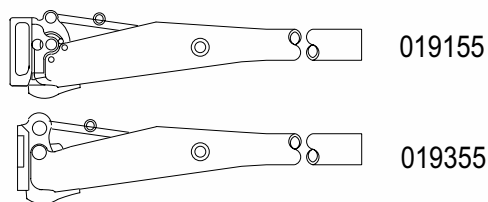
The Endolite Uni-axial Knee provides a secure and light weight knee for low activity users. The single bolt chassis style offers enhanced alignment capability and the 4-bolt version provides reduced proximal build height.

- Lightweight carbon fibre full shin
- Semi-Automatic Knee Lock
- 35mm pylon
- 120° of knee flexion

Material: Carbon fibre/Aluminium
 Component weight: 775g
 Max. Amputee weight: 100kg K1-K4
 125kg K1-K3
 Build height: see page 58
 System diameter: 35mm
 Control unit: SAKL
 Recommended for activity level: 



Module Part numbers



Accessories:

- 239002** - Through Hip Cable Conversion Kit
Thigh Release Control
- 239508** - Left Hand
- 239509** - Right Hand

Fitting Instructions:
 934353 - Thigh release
 938056 - SAKL

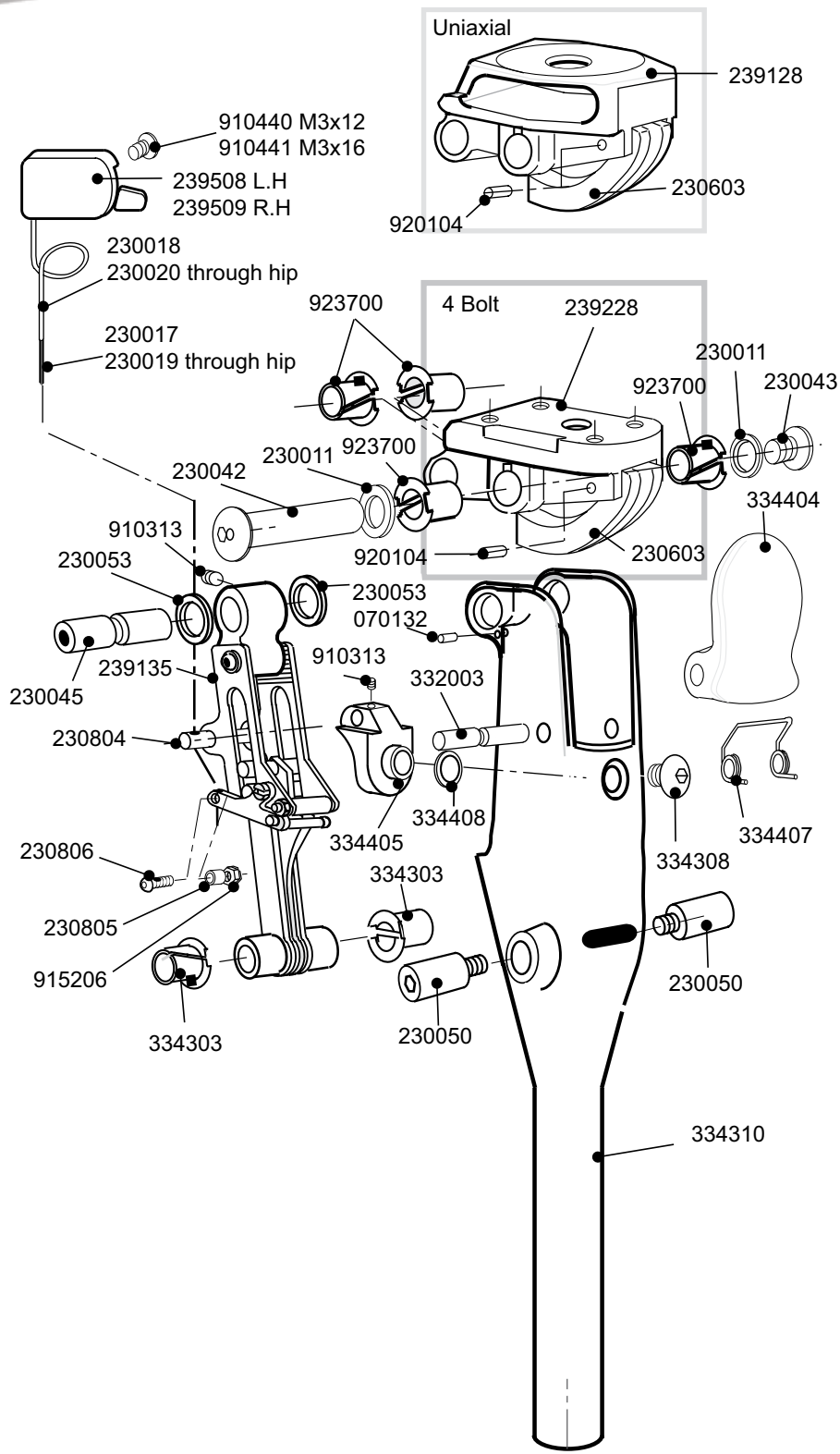
Socket Adaptors



409041 409042 189806 189123 (rotation) 189127

Build part numbers are for assembly guidance only and may not be for sale separately

EUK with SAKL, EUK 4-bolt with SAKL




Build part numbers are for assembly guidance only and may not be for sale separately

4-Bar knee disarticulation with SAKL

Carbon fibre linkage knee with low profile proximal height. It offers excellent sitting cosmesis. The SAKL control option provides security of a locked knee for low active users.

- Linkage format provides good sitting cosmesis
- SAKL with left or right thigh release
- 125° knee flexion
- Proximal dome socket attachment
- 35mm distal clamp

Material: Carbon fibre/Aluminium
 Component weight: 888g
 Max. Amputee weight: 100kg K1-K3
 Build height: see page 57
 System diameter: 35mm
 Control unit: SAKL

Recommended for activity level: 

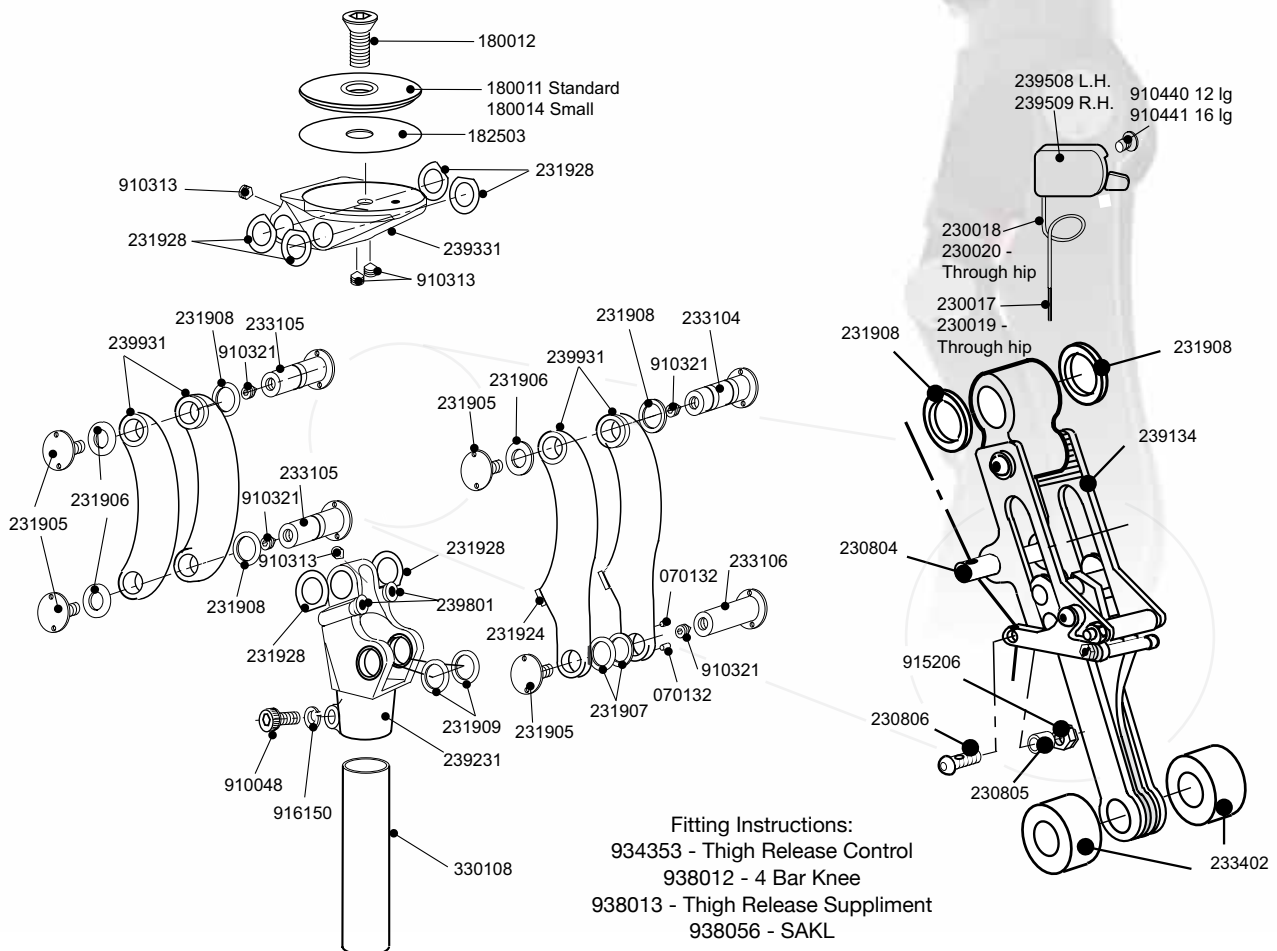
Accessories:

Thigh release control

019336 - Slim Four Bar Knee (SAKL)

239508 - Left hand

239509 - Right hand



Build part numbers are for assembly guidance only and may not be for sale separately

Compact semi-automatic knee lock (SAKL)

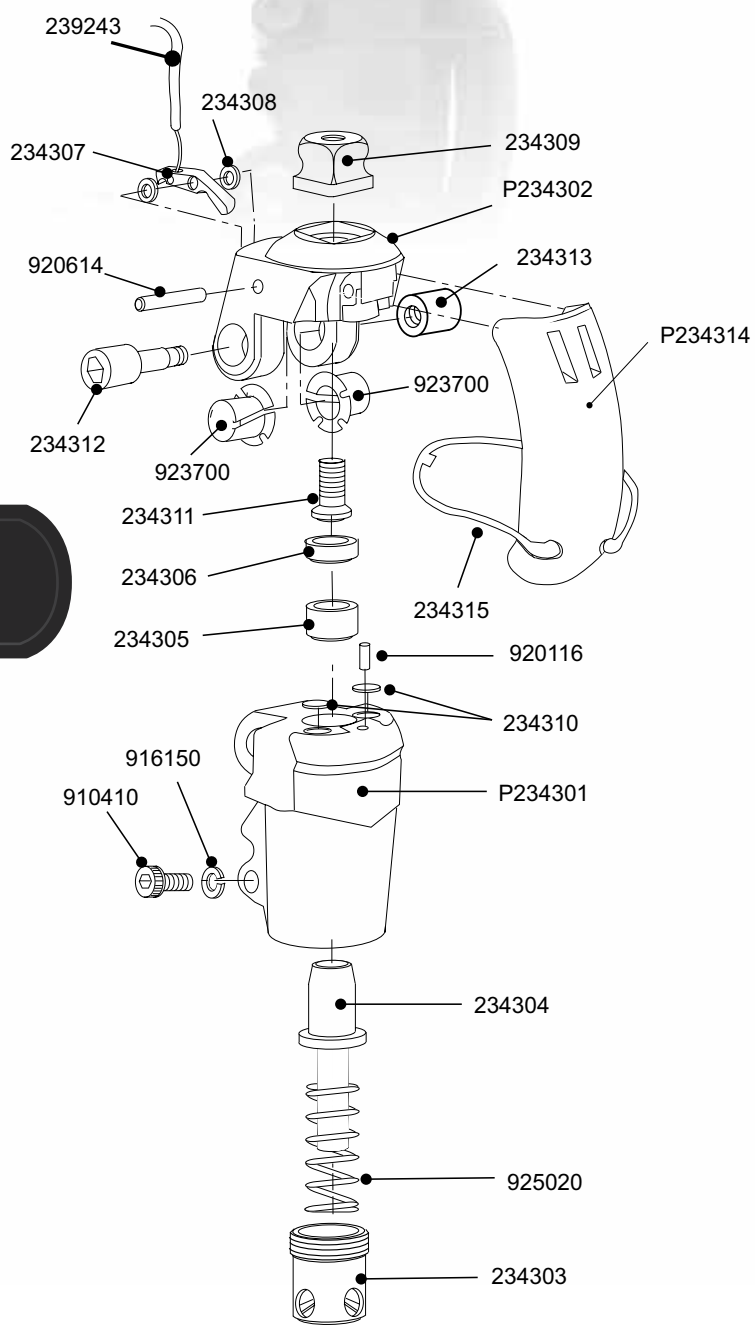


This compact, lightweight knee is ideally suited to low activity level individuals who need the security of a locked knee during walking.

- Slim, low profile knee
- 140° knee flexion
- Locks automatically on extension
- Robust thigh release: can be located left or right
- Integrated proximal pyramid
- 30mm distal clamp

Material:	Aluminium
Component weight:	325g
Max. Amputee weight:	125kg K1-K2
Build height:	see page 58
System diameter:	30mm
Control unit:	SAKL

Recommended for activity level: Recommended for activity level: **1 2 3 4**

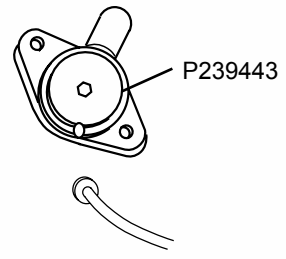


Accessories:

- P239143** - Compact SAKL
- P239443** - Thigh release control

Fitting Instruction - 938089

Available as a module with 30mm x 420mm tube and cable release kit - 019167

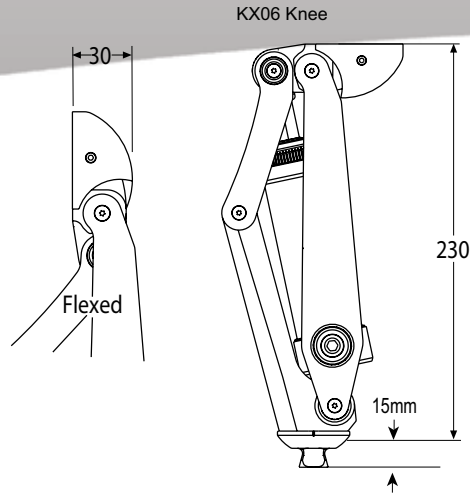


Socket Adaptors

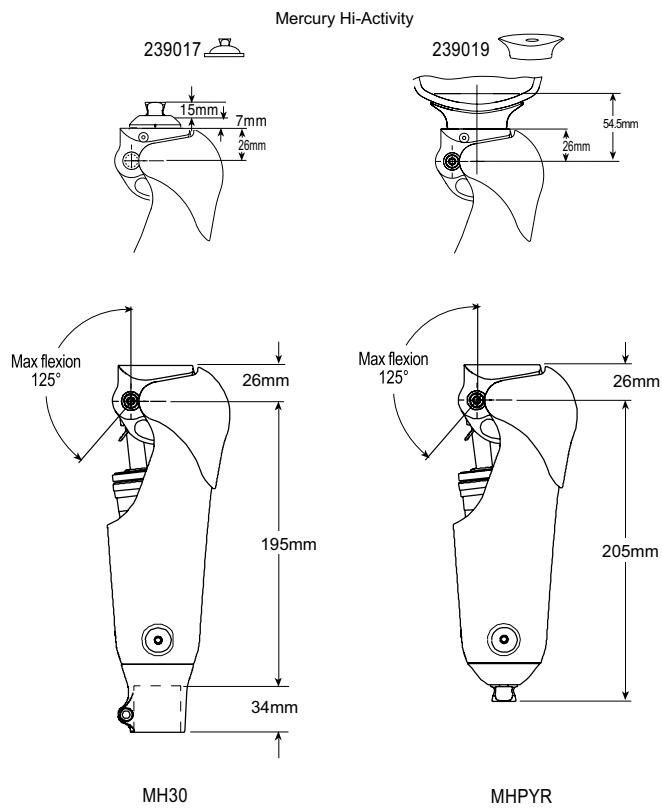


Build part numbers are for assembly guidance only and may not be for sale separately

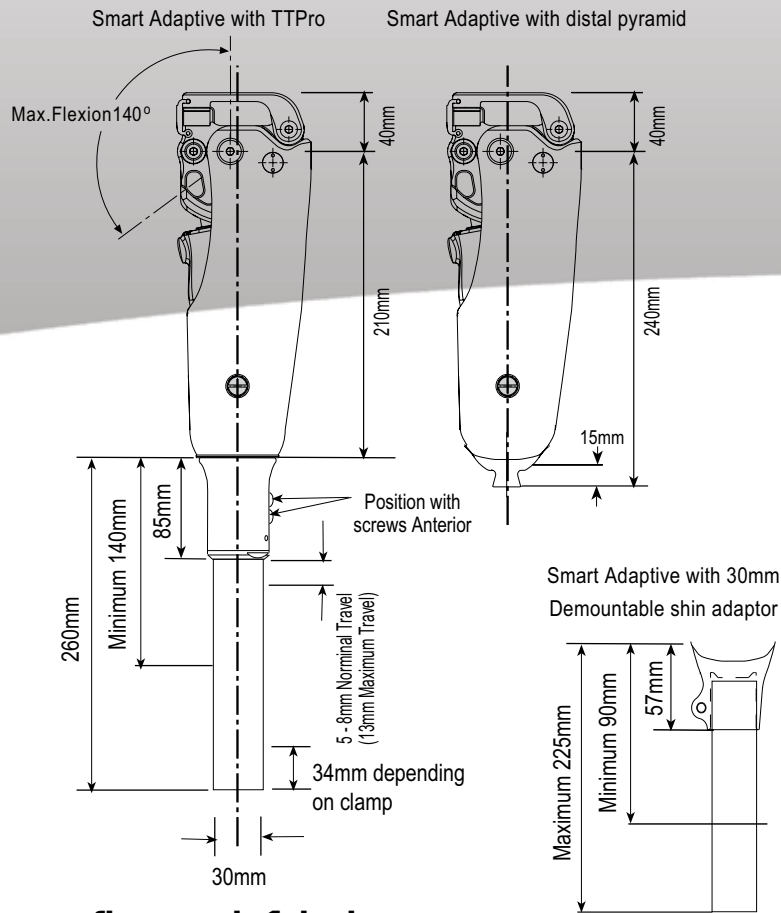
KX06



Mercury Hi-Activity

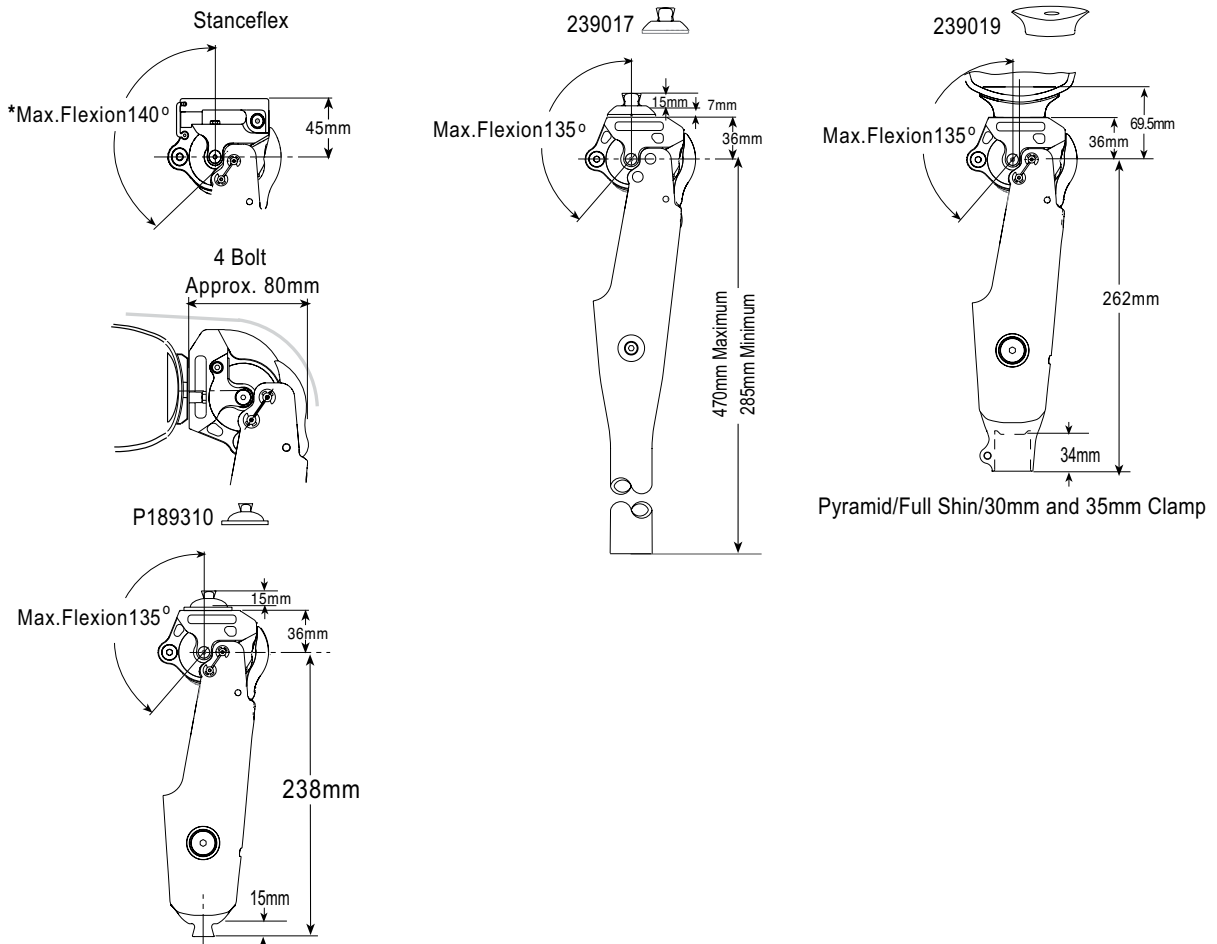


Smart Adaptive

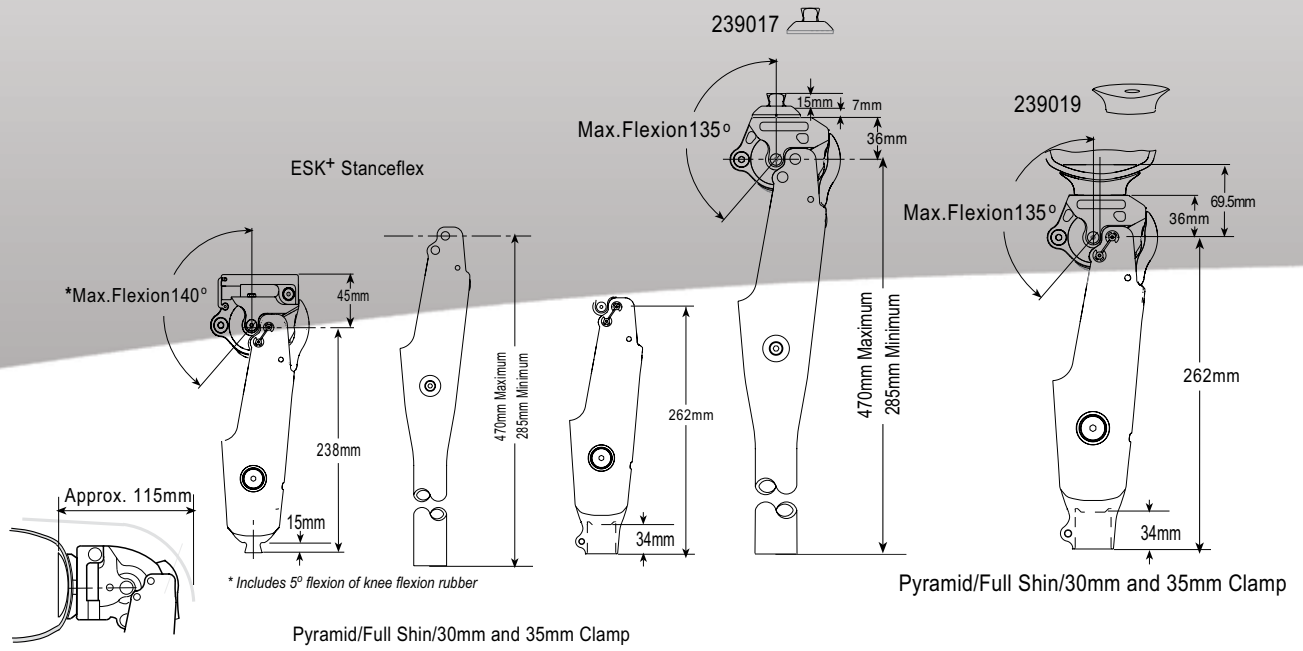


Smart IP® stanceflex and 4 bolt

Smart IP, Stanceflex & 4 Bolt

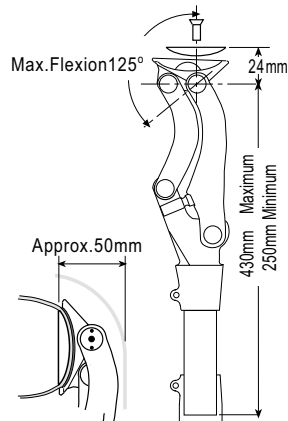


ESK+ stanceflex



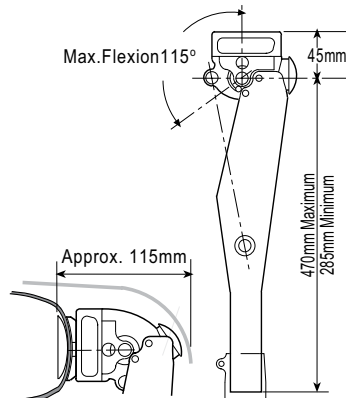
4 Bar knee disarticulation

4-Bar knee disarticulation



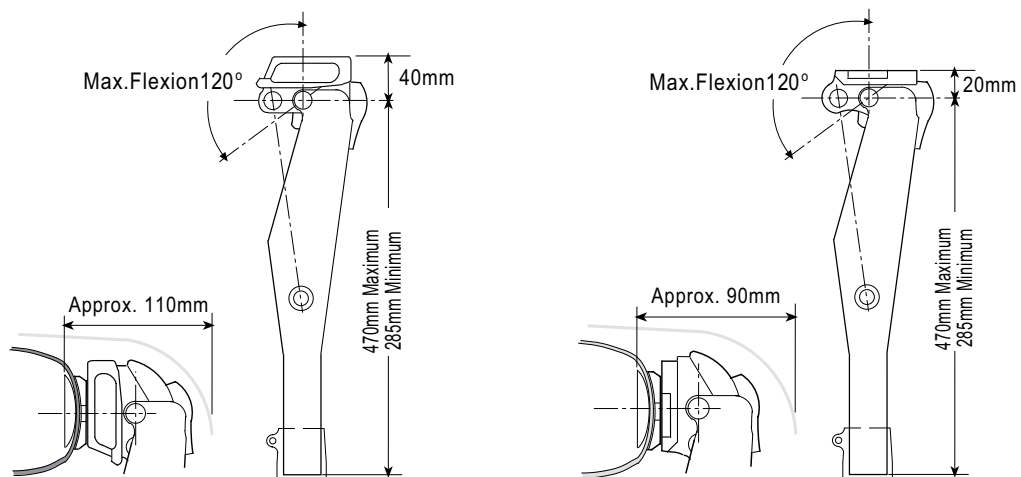
ESK+ manual knee lock

ESK+ Manual knee lock



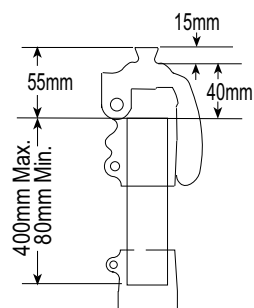
EUK, EUK 4 bolt

EUK/EUK 4 Bolt



Compact semi-automatic knee lock

Compact semi-automatic knee lock (SAKL)







This pocket sized device comes in a handy pouch and programs the speed settings for the Intelligent Prosthesis (IP+).

Part number:

019142 UK - 418MHz
019142E Outside UK - 433MHz
 (includes pouch)

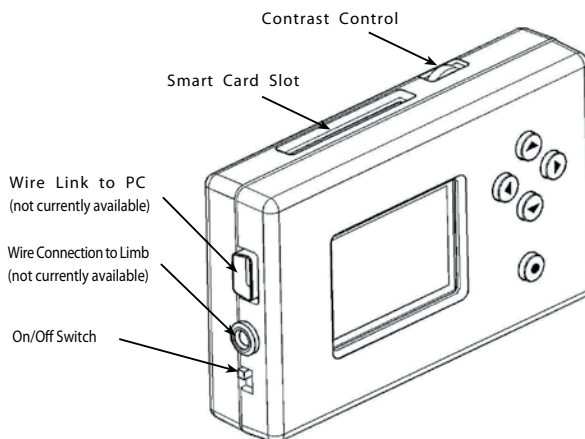
See from page 39 for IP+ Knees

The Blatchford Communication Device is a cordless two-way remote communications link to all new Endolite programmable prostheses such as the Adaptive limb. It utilises a specially designed user-friendly interface, enabling 'fast start' programming minimising the requirement for training. A 'smart card' can be used to download, upload and archive different user settings and/or different settings for the same user at various activity levels. The two-way communication utilises diagnostic features to analyse limb use and determine status e.g. battery level, monitor modes, sensor operations. Advanced programming allows manipulation of automatically calculated pre sets in order to refine and customise limb settings for individual users needs e.g. ramp select, extra stance support etc.

Part number:

(where XX = country code eg FR = France, US = USA)
019173 - XX

950095 - Smart card



Control Fitting Kits



Control fitting kits for KX06 modules

239254 Cylinder fitting kit for KX06

Control fitting kits for ESK+ full shin modules

019968 Fitting Kit for IP+

Number	Description
230078	Nut
230079	Bolt
230080	Thrust washer, 2 off
230081	Lower pivot, 2 off
231908	Thrust washer, 2 off

019969 Fitting Kit for Rex CaSwing

Number	Description
230078	Nut
230079	Bolt
230080	Thrust washer, 2 off
230082	Lower pivot, 2 off
230083	Thrust washer (white), 2 off

019858 Fitting Kit for PSPC

Number	Description
230078	Nut
230079	Bolt
230080	Thrust washer, 2 off
230081	Lower pivot, 2 off
231908	Thrust washer, 2 off
230313	Assistor spring
239009	Trunnion

Control fitting kits for ESK full shin (140°) module

019958 Fitting Kit for PSPC

Number	Description
233808	Bolt, upper attachment
233807	Nut, upper attachment
923700	Bearing, 2 off
230050	Pivot pin, lower, 2 off
334303	Bearing, 2 off
230313	Spring, PSPC assistor
239001	Trunnion assembly

Control fitting kits for ESK+ and ESK/MKL demountable shin modules

019868 Fitting Kit for IP+
(as shown left above)

Number	Description
230078	Nut
230079	Bolt
230080	Thrust washer, 2 off
230088	Lower pivot, 2 off
230090	Thrust washer, 2 off

019856 Fitting Kit for Rex CaSwing

Number	Description
230078	Nut
230079	Bolt
230080	Thrust washer, 2 off
230089	Lower pivot, 2 off
230091	Thrust washer (white), 2 off. Part

019758 Fitting Kit for PSPC
(as shown right above)

Number	Description
230078	Nut
230079	Bolt
230080	Thrust washer, 2 off
230088	Lower pivot, 2 off
230090	Thrust washer, 2 off
230313	Assistor spring
239009	Trunnion

Control Fitting Kits (continued)



Control fitting kits for EUK full shin modules

019950 Fitting Kit for CaStance 700 Rex
(as shown above)

Number	Description
230045	Pivot pin, trunnion
923700	Bearing, 2 off
910321	Screw, set hex. skt., M5 x 5 lg.
334304	Pivot pin, lower, 2 off
334303	Bearing, 2 off
330134	Thrust washer 2 off

019951 Fitting Kit for IP+

Number	Description
230054	Bolt - upper attachment
230055	Nut - upper attachment
230053	Washer, 2 off
923700	Bearing, 2 off
230050	Pivot pin, lower, 2 off
230067	Spacer, 2 off
334303	Bearing, 2 off

019952 Fitting Kit for PSPC

Number	Description
230054	Bolt - upper attachment
230055	Nut - upper attachment
230053	Washer, 2 off
923700	Bearing, 2 off
230050	Pivot pin, lower, 2 off
334303	Bearing, 2 off
230313	Spring, PSPC assistor
239001	Trunnion assembly
330134	Thrust washer 2 off

019955 Fitting Kit for SAKL

Number	Description
230045	Pivot pin, trunnion
230053	Washer, 2 off
910313	Screw, set hex. skt., M4 x 4 lg.
923700	Bearing, 2 off
230050	Pivot pin, lower, 2 off
334303	Bearing, 2 off
330134	Thrust washer 2 off

Exchange Units

Service Exchange Units

239529	IP+
239529E	IP+ Euro
239745	Adaptive
239851	Adaptive2 cylinder and cable
239046	Smart Adaptive
259902	Smart IP
932266	CaStance 700 REX
932274	REX Swing (CaSwing 700)
932267	CaSwing 300 SR/107
932268	CaSwing 300 SR/108
932270	Mercury CaStance
932279	700REX Castance for KX06
932280	Caswing for KX06
932258	CaSwing 500



LAM3™



The latest activity monitoring device for insertion into the shin tube of a prosthesis. The LAM3™ gathers day to day activity information for up to a year and can be used to analyse the success of prescription and rehab. Now with direct PC upload via USB.

Part number:

LAM3 - LAM3™ monitor with mounting kit

LAM3USBS1 - LAM3™ monitor with mounting kit, software and cable set

Fitting Instruction: 938309

Active Pal and PALite™



The PALite™ is a unique and rechargeable activity monitor that may be worn in a comfortable ankle cuff and will provide a comprehensive overview of day to day activities. The information which can be downloaded via USB connection, gives vital clues to the overall mobility of the wearer over a four week period.

Part number:

activ PAL™ professional packages:

PAL6USBS1

Single monitor package (activPAL™ monitor, software licence, USB interface)

PAL6USBS3

Three monitor package (activPAL™ monitor x3, software licence, USB interface)

PAL6PRO

Additional activPAL™ monitor

Consumables:

APHG6842

PALstickies™ attachment pads (packs of 10)

PALlite™ packages:

PL1USBS1

Single monitor package (PALlite™ monitor, ankle cuff, software licence, USB interface)

PL1USBS3

Three monitor package (PALlite™ monitor x3, ankle cuff, software licence, USB interface)

PL1

Additional PALlite™ monitor (including ankle cuff)

Consumables:

PLC1

PALlite™ ankle cuff


Module assembly 4-bar hip disarticulation

A 4-Bar linkage joint that tracks hip movement to optimise gait. The hip folds anteriorly to ensure good sitting comfort and cosmesis.

- 130 degree flexion/extension
- Alignment allows adjustment in all planes
- Optional extension stop grades



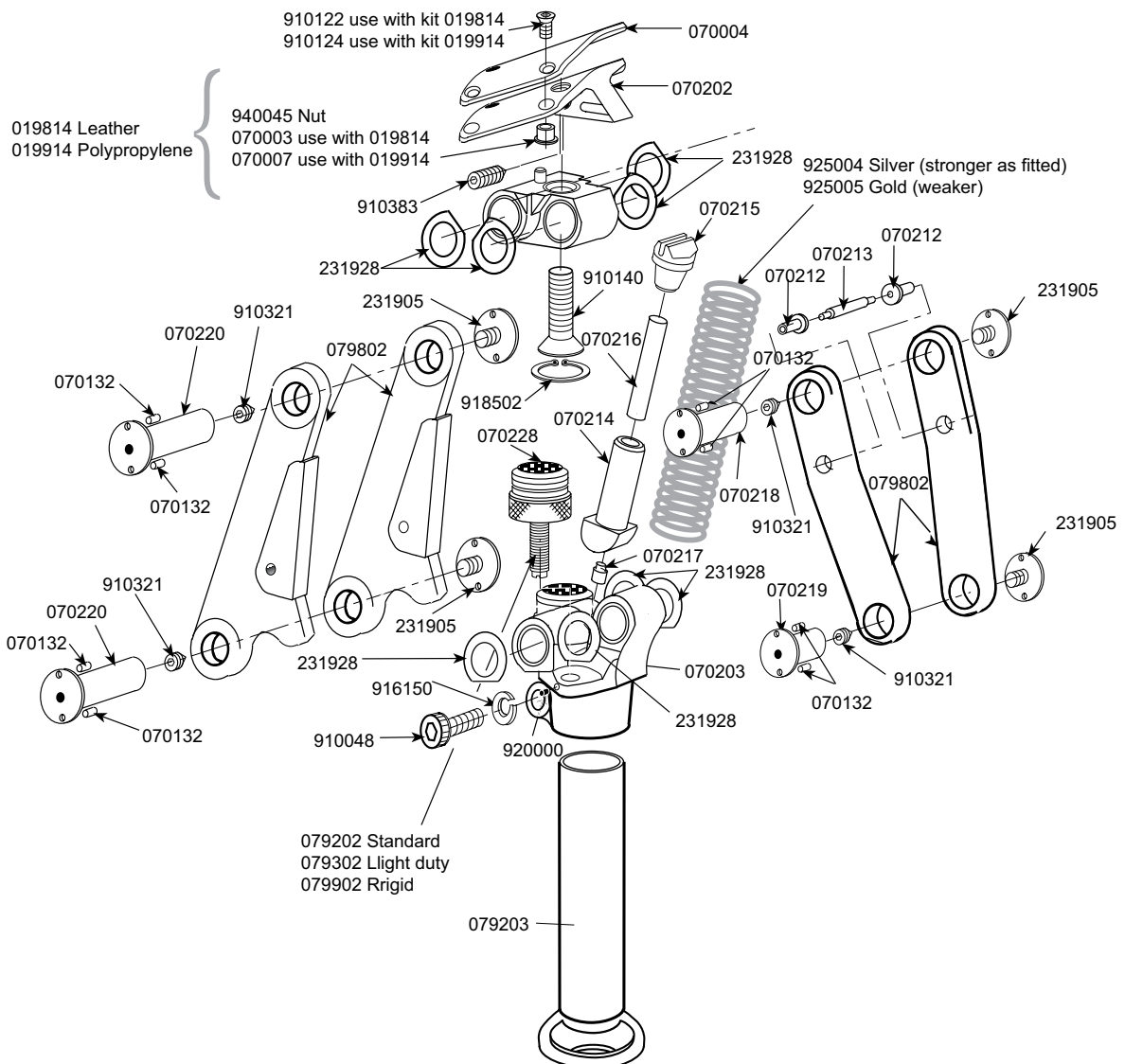
Material: Carbon fibre/Aluminium
 Component weight: 910g
 Max. Amputee weight: 100kg K1-K3
 120kg K1-K2
 Build height: 240-380mm
 System diameter: 35mm

Recommended for activity level: 

Part number:

019222 - Module Assembly Four Bar Hip Disarticulation

Fitting Instruction - 934383



Build part numbers are for assembly guidance only and may not be for sale separately

Alignment adaptor kit for 4-bar hip disarticulation

Hip joint adaptor for attachment of hip to knee joint.

- Angled device provides range of angular alignment

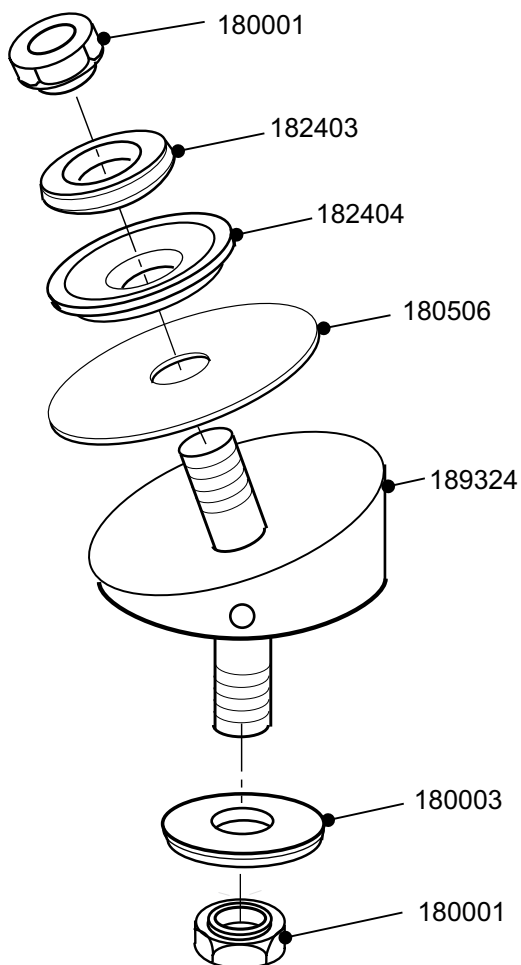
Material: Aluminium
Component weight: 175g
Max. Amputee weight: 100kg K1-K3
120kg K1-K2
Build height: 16mm

Recommended for activity level:



Part number:

189224 - Alignment Adaptor Kit Four Bar Hip Disarticulation



Build part numbers are for assembly guidance only and may not be for sale separately

HIP DISARTIC

Build part numbers are for assembly guidance only and may not be for sale separately



Adaptors




ADAPTORS

T-t lamination anchor



Lamination anchor suitable for transtibial socket manufacture.

Material: Stainless Steel
 Component weight: 85g
 Amputee weight: 100kg K1-K4
 125kg K1-K3
 Build height: 21mm

Recommended for activity level: 

Part number:


P189410S

T-t lamination anchor



Lamination anchor suitable for transtibial socket manufacture.

Material: Aluminium/Stainless Steel
 Component weight: 75g
 Amputee weight: 100kg K1-K4
 125kg K1-K3
 Build height: 21mm

Recommended for activity level: 


Part number:

P189410

Pyramid 4-bolt



Male pyramid for attachment to 4-bolt system parts.

Material: Stainless Steel
 Component weight: 68g
 Amputee weight: 145kg K1-K4
 150kg K1-K3
 Build height: 15mm (8mm)
 Recommended for activity level: 


Part number:

P189310

KX06 adaptor kit

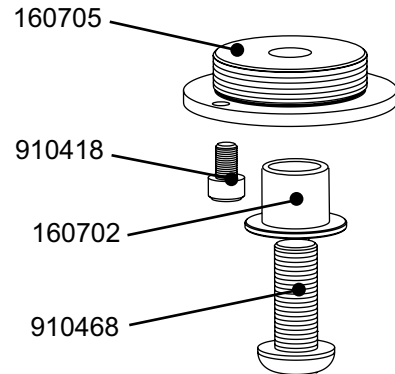
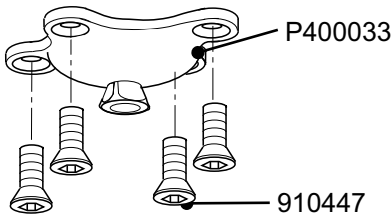


Proximal M36 adaptor, specifically designed for KX06, allows connection of various lamination and socket adaptors.

Material: Aluminium/Stainless Steel
 Component weight: 65g
 Amputee weight: 145kg K1-K4
 150kg K1-K3
 Build height: 12mm
 Recommended for activity level: 

Part number:

169307



Build part numbers are for assembly guidance only and may not be for sale separately


T-f EP-MSR


T-f EP-FSR



Sliding rotating male pyramid adaptor with 4-bolt plate.

Sliding rotating female pyramid adaptor with 4-bolt plate.

Material: Titanium
 Component weight: 140g
 Amputee weight: 100kg K1-K3
 Build height: 14mm
 Recommended for activity level: 

Material: Titanium
 Component weight: 150g
 Amputee weight: 100kg K1-K3
 Build height: 33mm
 Recommended for activity level: 

Part number:

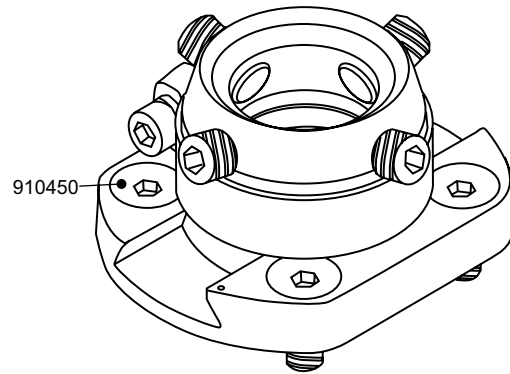
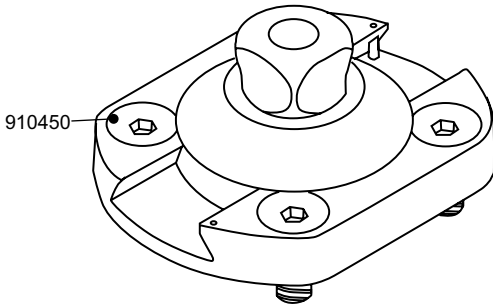
Part number:

EP-MSR

EP-FSR

Attachment Screws **910450**

Attachment Screws **910450**



Build part numbers are for assembly guidance only and may not be for sale separately

Pyramid - rotate & slide

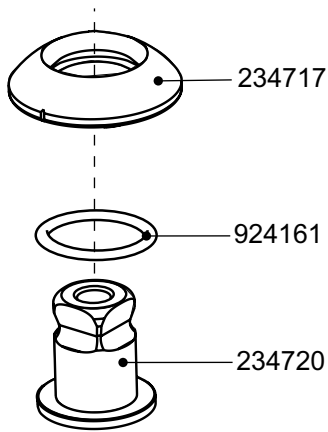


Male pyramid alignment for Mercury Hi-Activity Knee and ESK+ 4Bolt knees. A/P slide pyramid enhances alignment results. Just tighten pyramid clamp to lock slider in position.

Material:	Aluminium
Component weight:	50g
Amputee weight:	145kg K1-K4 150kg K1-K3
Build height:	22mm (7mm)
Recommended for activity level:	

Part number:

239017



T-t pyramid alignment

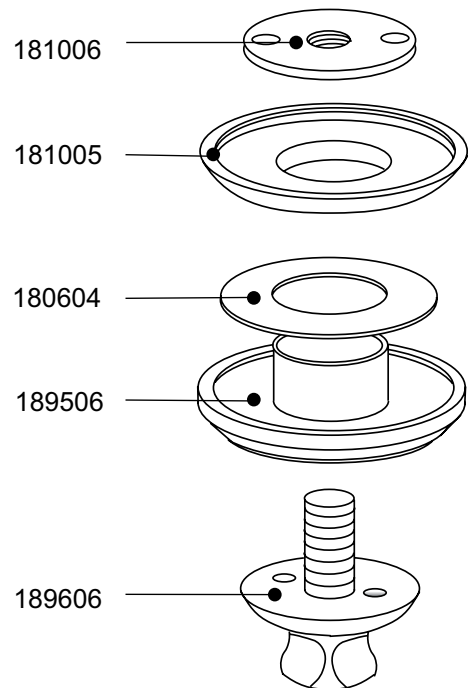


Pyramid alignment device for use with Endolite dome shaped socket .

Material:	Aluminium/Stainless Steel
Component weight:	155g
Amputee weight:	100kg K1-K4 125kg K1-K3
Build height:	8mm
Recommended for activity level:	

Part number:

P189610



Build part numbers are for assembly guidance only and may not be for sale separately

Female pyramid adaptor

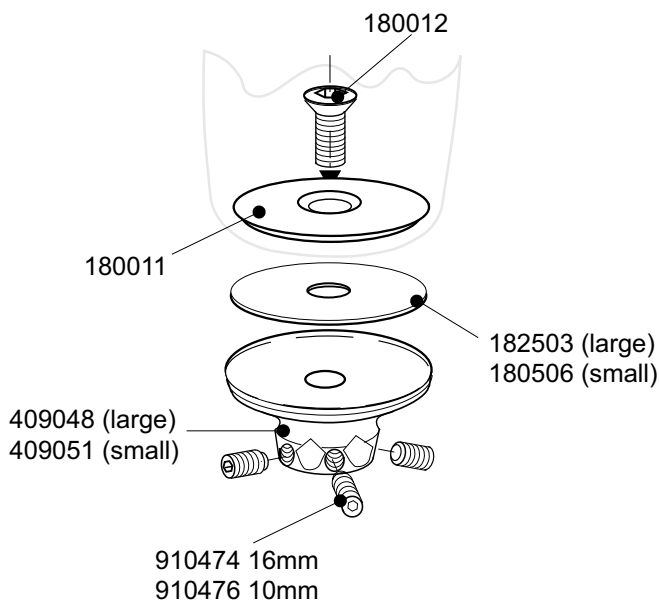


Female pyramid for laminated and thermoformed sockets. Attaches to Endolite domed socket.

Material: Aluminium/Stainless Steel
 Component weight: 209g (large)
 Amputee weight: 145kg K1-K4
 150kg K1-K3
 Build height: 45mm
 Recommended for activity level:

Part number:

P409049 Large
P409050 Small



Full align. pyramid

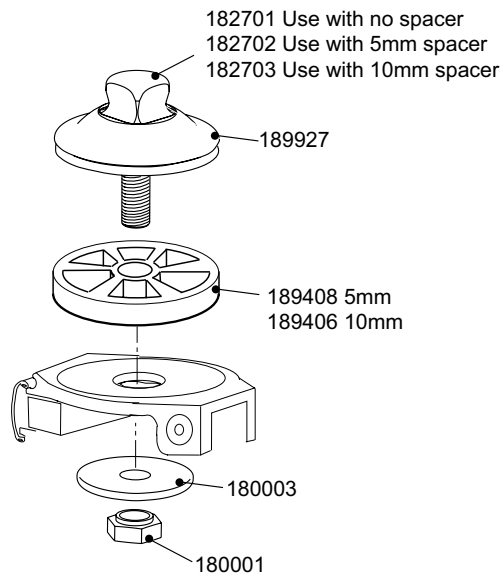


Converts knees with Full Alignment proximal chasis to male pyramid, particularly suitable for Endolite knees to sockets with distal female pyramid attachment.

Material: Aluminium/Stainless Steel
 Component weight: 103g
 Amputee weight: 100kg K1-K4
 125kg K1-K3
 Build height: 5-25mm
 Recommended for activity level:

Part number:

189127 Standard
189227 5mm Lengthening
189327 10mm Lengthening



Build part numbers are for assembly guidance only and may not be for sale separately

Pyramid shift Adaptor L



Hybrid Endolite Full Alignment / Female Pyramid adaptor.

Material: Aluminium/ Titanium
 Component weight: 130g
 Amputee weight: 100kg K1-K4
 125kg K1-K3
 Build height: 40mm (25mm)
 Recommended for activity level:

Part number:

409042 Pyramid Shift Adaptor (long)

Pyramid shift Adaptor S

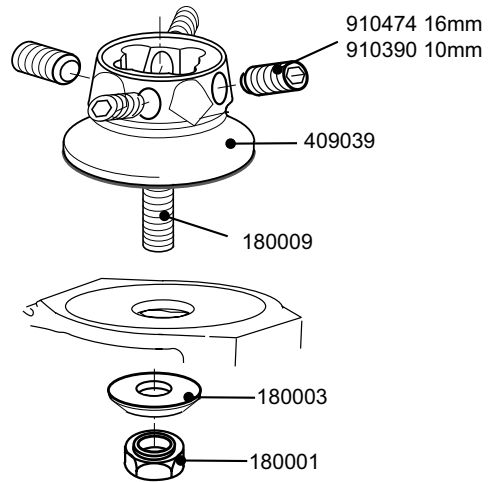
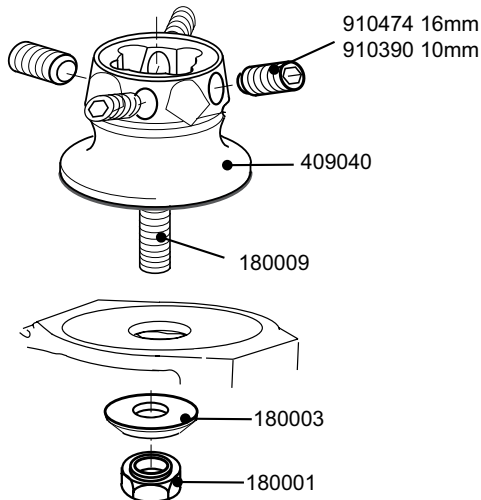


Hybrid Endolite Full Alignment / Female Pyramid adaptor.

Material: Aluminium/ Titanium
 Component weight: 110g
 Amputee weight: 100kg K1-K4
 125kg K1-K3
 Build height: 25mm (10mm)
 Recommended for activity level:

Part number:

409041 Pyramid Shift Adaptor (short)



Build part numbers are for assembly guidance only and may not be for sale separately



T-t alignment kit

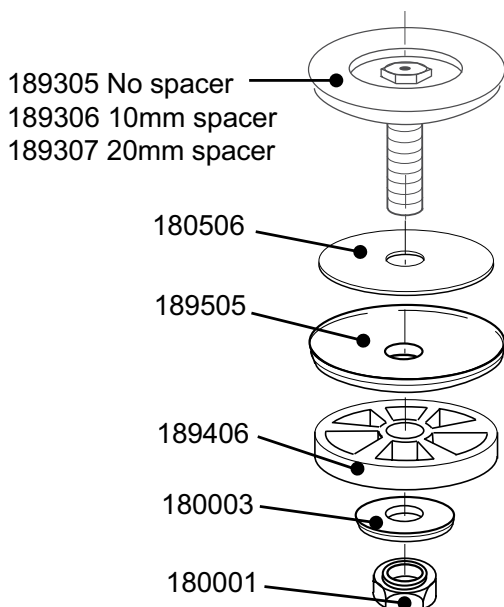


Endolite Full Alignment system providing shift, rotation and tilt for trans-tibial level alignment. Suitable for thermoplastic and laminated sockets. Length adjustment kits available.

Material: Aluminium/Titanium
 Component weight: 122g
 Amputee weight: 100kg K1-K4
 125kg K1-K3
 Build height: 15-35mm
 Recommended for activity level:

Part number:

- 189906** Standard length
- 189907** 10mm lengthening
- 189607** 20mm lengthening



T-f alignment kit

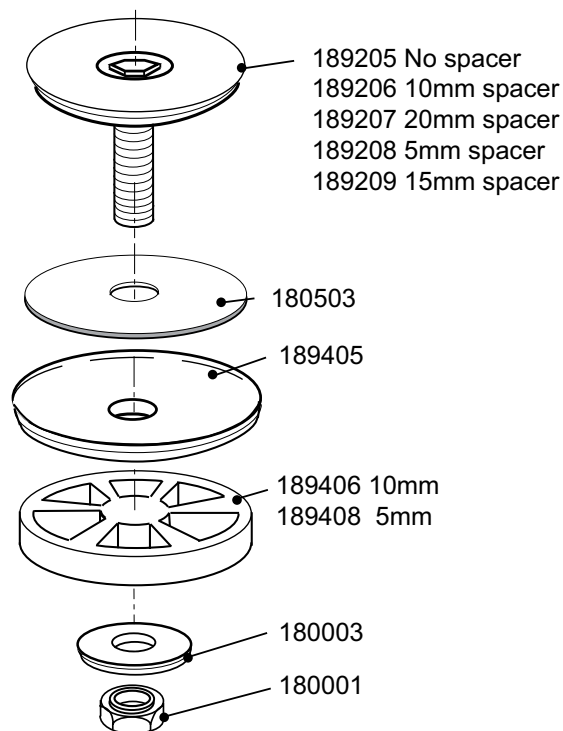


Endolite Full Alignment system providing shift, rotation and tilt for trans-femoral level alignment. Suitable for thermoplastic and laminated sockets. Length adjustment kits available.

Material: Aluminium
 Component weight: 183g
 Amputee weight: 100kg K1-K4
 125kg K1-K3
 Build height: 20-40mm
 Recommended for activity level:

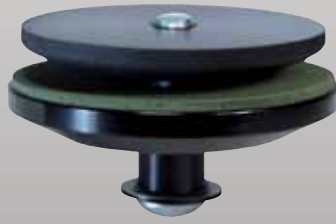
Part number:

- 189806** Standard
- 189805** 10mm Shortening
- 189807** 10mm Lengthening
- 189808** 5mm Shortening
- 189809** 5mm Lengthening



Build part numbers are for assembly guidance only and may not be for sale separately

KX06 alignment kit



Endolite Full Alignment system for KX06 Knee. Provides rotation, slide and angular adjustment. Suitable for Endolite domed end laminated or thermoformed sockets.

Material: Aluminium
 Component weight: 185g
 Amputee weight: 145kg K1-K4
 150kg K1-K3
 Build height: See below
 Recommended for activity level:

Part number:

169207

T-f short knee alignment

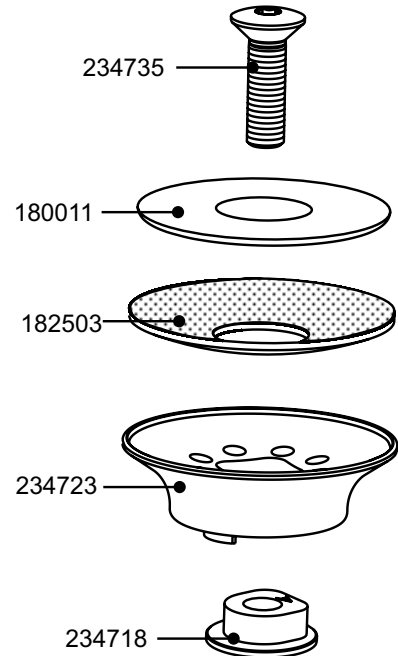
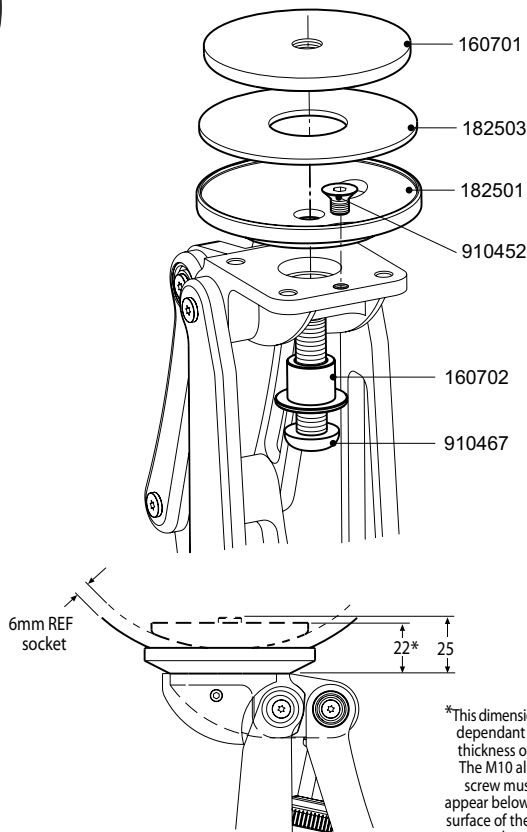


Endolite Full Alignment system for Mercury Hi-Activity Knee and ESK+ 4Bolt knees. Provides rotation, slide and angular adjustment. Suitable for Endolite domed end laminated or thermoformed sockets.

Material: Aluminium
 Component weight: 196g
 Amputee weight: 100kg K1-K4
 125kg K1-K3
 Build height: 18mm (inc. socket)
 Recommended for activity level:

Part number:

239019



Build part numbers are for assembly guidance only and may not be for sale separately

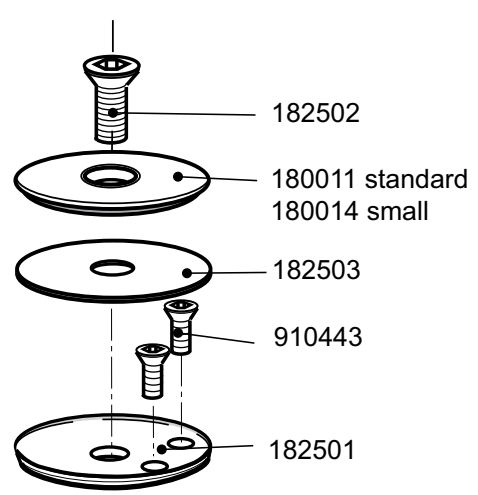
T-f short knee adaptor



Endolite Full Alignment device for use with Short Knee and Hi-Activity Knee models. Adaptor kit for thermoplastic and laminated sockets. Provides rotation and angular adjustment. Allows reduced build height.

Material: Aluminium
 Component weight: 140g
 Amputee weight: 100kg K1-K4
 125kg K1-K3
 Build height: 20mm
 Recommended for activity level:

Part number:
189125



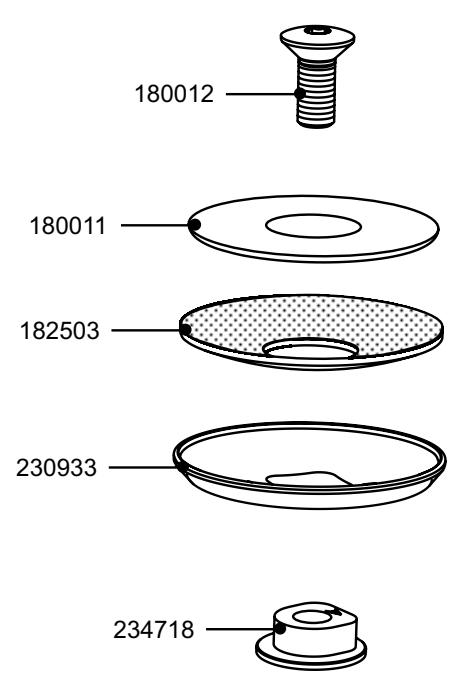
Alignment kit



Minimum build height alignment kit for use with ESK 4Bolt and Mercury 4Bolt chassis

Material: Aluminium
 Component weight: 170g
 Amputee weight: 100kg K1-K4
 125kg K1-K3
 Build height: 46mm - Mercury
 56mm - ESK+ 4Bolt
 Recommended for activity level:

Part number:
239032



Build part numbers are for assembly guidance only and may not be for sale separately

T-f turntable kit



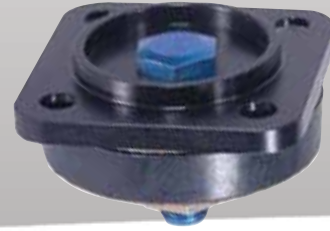
Enables the wearer to rotate the knee and sit cross-legged. Simple push button operation. Can be rotated up to 360° to tie shoelaces, returns to normal position for walking. Unit fits proximally to Endolite full alignment knees, built-in shift and angular alignment facility.

Material: Aluminium
 Component weight: 330g
 Amputee weight: 100kg K1-K4
 125kg K1-K3
 Build height: 40mm (inc. socket)
 Recommended for activity level:

Part number:

189123

T-f 4-bolt adaptor kit

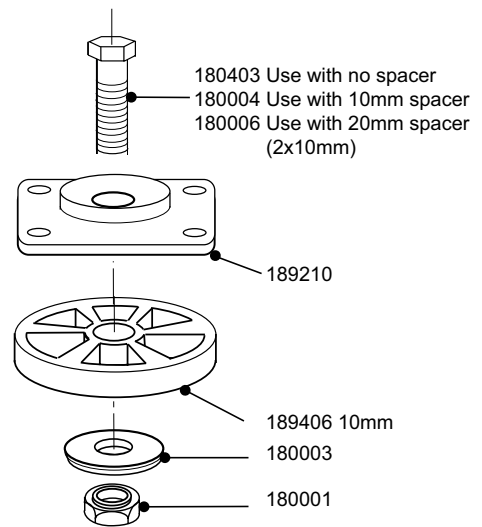
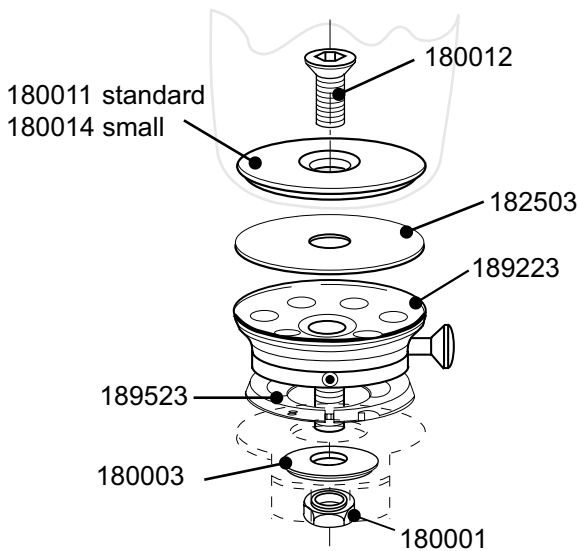


Attaches a 4-bolt socket to Endolite top housing. Provides rotation and shift adjustment. Length adjustment kits available.

Material: Aluminium/Titanium
 Component weight: 97g
 Amputee weight: 100kg K1-K4
 125kg K1-K3
 Build height: 15-35mm
 Recommended for activity level:

Part number:

189110 Standard Alignment
189910 10mm Lengthening
189810 10mm Shortening



Build part numbers are for assembly guidance only and may not be for sale separately

Wood adaptor kit



Full Alignment system to build into wood and laminated sockets. Length adjustment kits available.

Material: Aluminium/Wood
 Component weight: 612g
 Amputee weight: 100kg K1-K4
 125kg K1-K3
 Build height: 40mm Min
 96mm Max

Recommended for activity level:



Part number:

- 189113** Wood/laminated sockets
- 189815** 10mm Lengthening
- 189811** 10mm Shortening

Cup & strut kit



Externally mounted Full Alignment kit suitable for metal, thermoplastic, laminated or temporary sockets, allows extreme alignments. Length adjustment kits available. Mounting Kit for Thigh Release available.

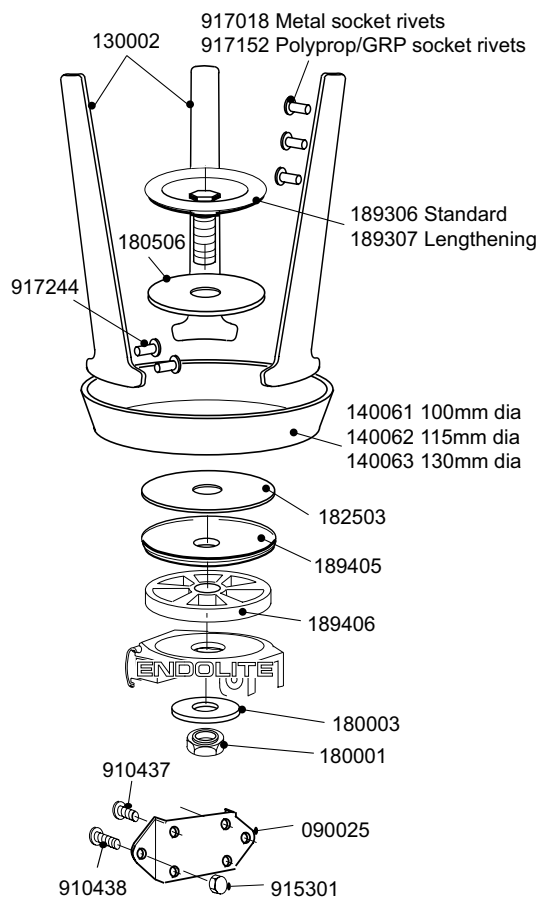
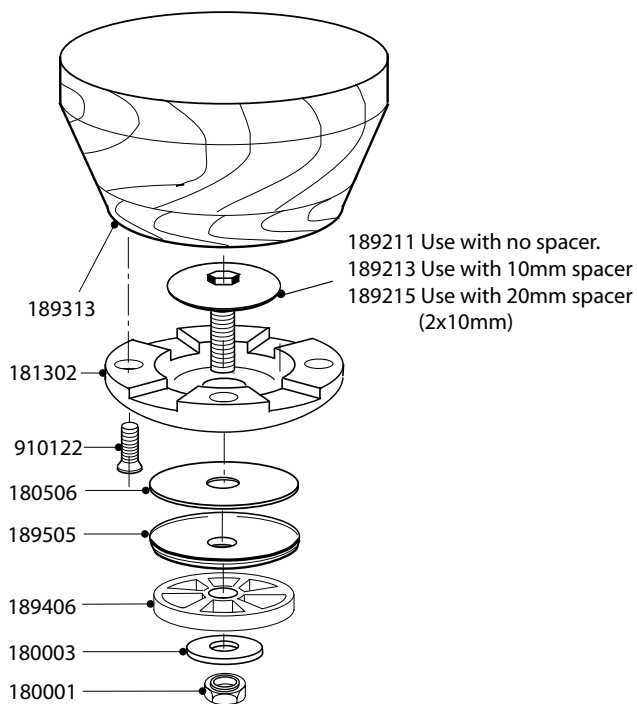
Material: Aluminium
 Component weight: 538g
 Amputee weight: 100kg K1-K4
 125kg K1-K3
 Build height: 15-35mm

Recommended for activity level:



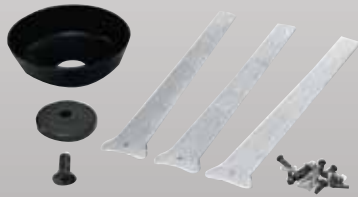
Part number:

- 099028** Mounting kit-thigh release
- 189117** Standard, 10mm spacer, 100mm dia.cup
- 189707** 10mm Lengthening
- 189906** 10mm Shortening
- 189118** Standard, 10mm spacer, 115mm dia.cup
- 189119** Standard, 10mm spacer, 130mm dia.cup




Build part numbers are for assembly guidance only and may not be for sale separately

Cup & strut kit



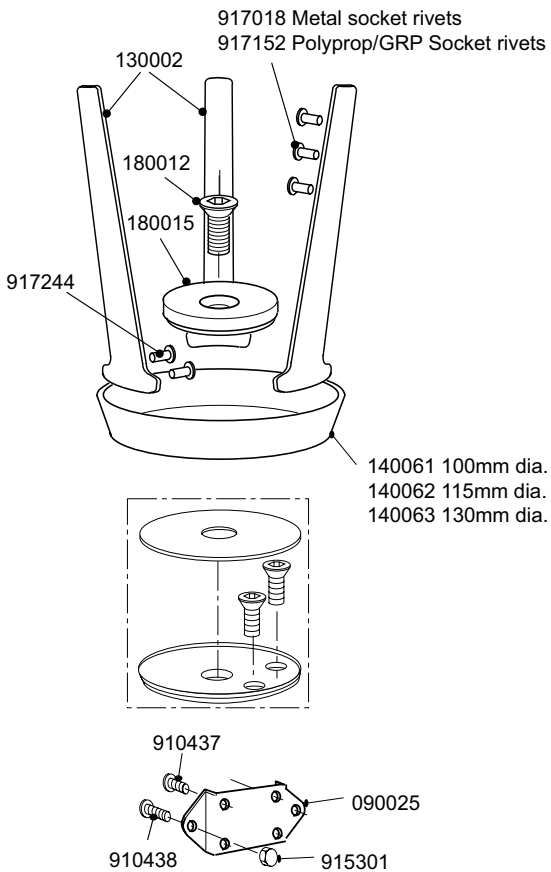
Externally mounted Full Alignment kit suitable for metal, thermoplastic, laminated or temporary sockets mounted on Endolite 4-Bar Knee and Uni-axial knees, allows extreme alignments. Length adjustment kits available. Mounting Kit for Thigh Release available.

Material: Aluminium
 Component weight: 450g
 Amputee weight: 100kg K1-K4
 100kg K1-K3 for E4BKD
 125kg K1-K3
 Build height: 20mm
 Recommended for activity level: 

Part number:

- 099028** Mounting kit-thigh release
- 189217** 100mm dia.cup
- 189218** 115mm dia.cup
- 189219** 130mm dia.cup

ADAPTORS



Build part numbers are for assembly guidance only and may not be for sale separately

Pyramid clamp 30mm



Material: Aluminium
 Component weight: 80g
 Amputee weight: 100kg K1-K4
 125kg K1-K3
 Build height: 15+36 (51)mm
 System diameter: 30mm
 Recommended for activity level:

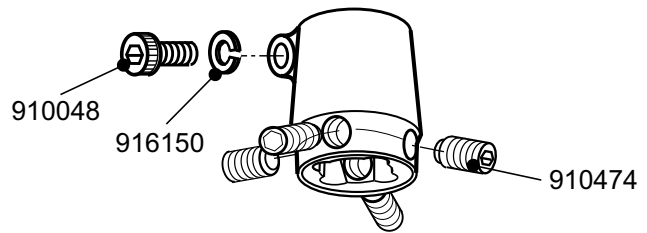
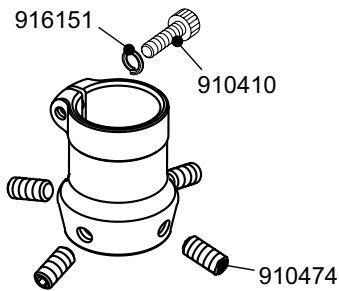
Part number:
409054 - BLACK

Pyramid clamp 35mm



Material: Aluminium
 Component weight: 104g
 Amputee weight: 100kg K1-K4
 125kg K1-K3
 Build height: 18+ 34mm
 System diameter: 35mm
 Recommended for activity level:

Part number:
409030



Build part numbers are for assembly guidance only and may not be for sale separately

Pyramid clamp 30mm



Pyramid clamp 35mm



Material: Titanium
 Component weight: 92g
 Amputee weight: 145kg K1-K4
 150kg K1-K3
 Build height: 15+36 (51)mm
 System diameter: 30mm
 Recommended for activity level:

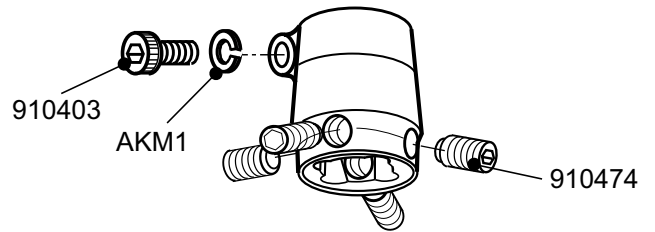
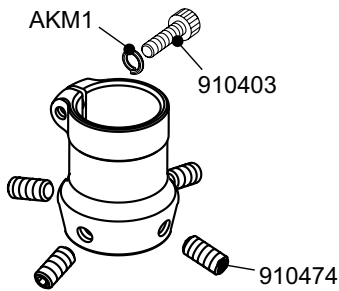
Material: Titanium
 Component weight: 92g
 Amputee weight: 125kg K1-K4
 136kg K1-K3
 Build height: 15+36 (51)mm
 System diameter: 35mm
 Recommended for activity level:

Part number:

AK30M1

Part number:

AK35M1



Build part numbers are for assembly guidance only and may not be for sale separately

Pyramid adaptor



High Strength Shin Kit



High strength tube adaptor kit for trans-tibial use. Titanium with reinforced carbon tube, the system supports a maximum user weight of 136kg

Material: Aluminium
 Component weight: 213g
 Amputee weight: 100kg K1-K4
 125kg K1-K3
 Build height: 51.5mm (adaptor)
 System diameter: 30mm
 Recommended for activity level:

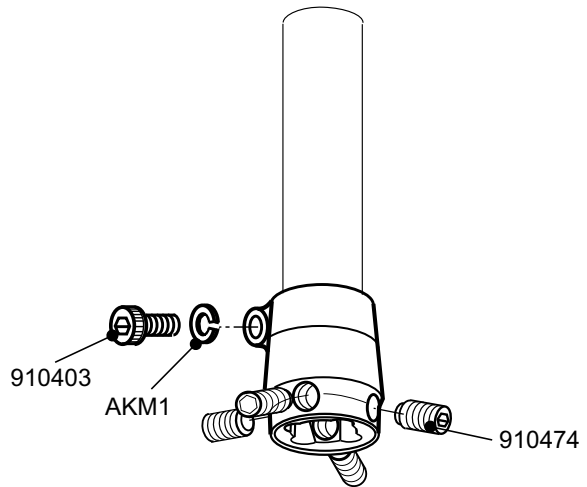
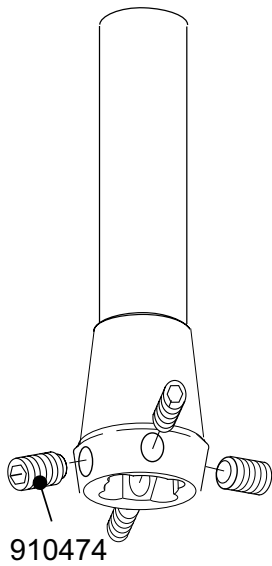
Part number:

- 739052** - 30mm x 220mm
- 739053** - 30mm x 420mm
- 739054** - 30mm x 520mm

Material: Titanium/Carbon fibre
 Component weight: 272g (239030)
 364g (239029)
 Max. Amputee weight: 125kg K1-K4
 136kg K1-K3
 Build height: 100 to 275mm
 System diameter: 30mm
 Recommended for activity level:

Part number:

- 239030** - Tube with single clamp
- 239029** - Tube with two clamps




Build part numbers are for assembly guidance only and may not be for sale separately

Pyramid pylon 30mm



Pyramid alignment with integral 30mm tube.

Material: Aluminium
 Component weight: 97g
 Max. Amputee weight: 100kg K1-K4
 125kg K1-K3
 Build height: 60mm min/90mm max
 System diameter: 30mm
 Recommended for activity level: 


Part number:

409053

Pyramid pylon 35mm

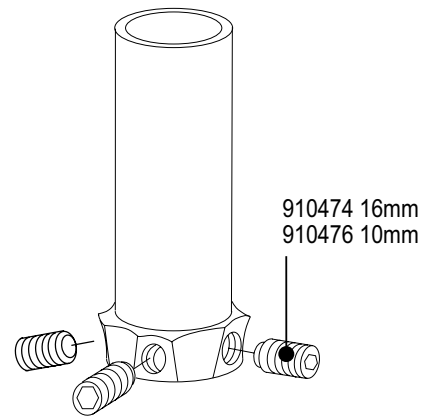
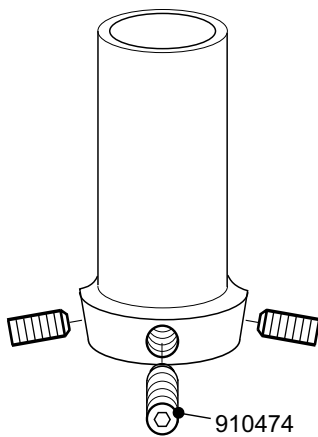


Pyramid alignment with integral 35mm tube.

Material: Aluminium
 Component weight: 107g
 Max. Amputee weight: 100kg K1-K4
 125kg K1-K3
 Build height: 60mm min/95mm max
 System diameter: 35mm
 Recommended for activity level: 

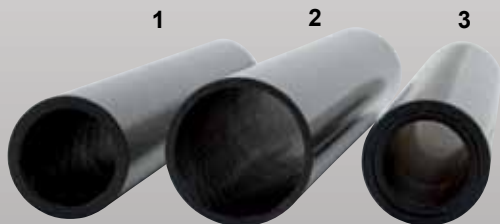
Part number:

409038



Build part numbers are for assembly guidance only and may not be for sale separately

Carbon tube



Carbon 30mm tube rated to 100kg
 Carbon 35mm tube rated to 125kg
 Carbon 30mm tube with insert rated to 150kg

T-t shin systems



Endolite full alignment: the most accurate alignment system provides shift, rotation and tilt. Stylish carbon fibre shin tube, trans-tibial system in 30mm or 35mm diameter.

Material:	Carbon Fibre
Component weight:	93g (330108) 99g (330120) 180g (330146)
Max. Amputee weight:	
30mm tube (1)	100kg K1-K3
35mm tube (2)	100kg K1-K4, 125kg K1-K3
30mm and insert (3)	145kg K1-K4, 150kg K1-K3

Build height: 250mm max.
 System diameter: 30/35mm

Recommended for activity level:

Part number:

- 1 330120** - 30mm, 255mm long, carbon fibre
- 2 330108** - 35mm, 255mm long, carbon fibre
- 3 330146** - 30mm with insert, carbon fibre

Material:	Aluminium
Component weight:	360g
Max. Amputee weight:	
35mm	100kg K1-K4 120kg K1-K3
30mm	100kg K1-K3

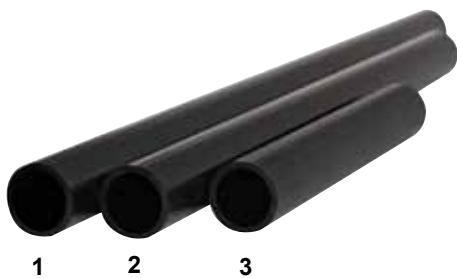
Build height: 95 - 280mm
 System diameter: 30/35mm

Recommended for activity level:

Part number:

- 019131** - 35mm
- 019231** - 30mm

Aluminium tube

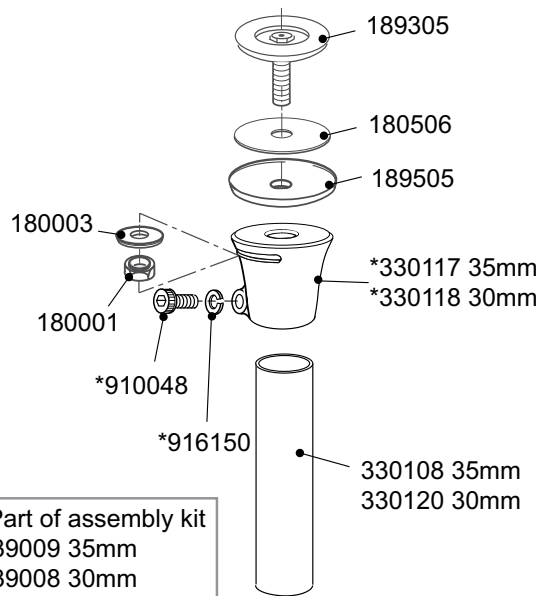


Material:	Aluminium
Amputee weight:	100kg K1-K4 125kg K1-K3
Build height:	200-500mm
System diameter:	30mm

Recommended for activity level:

Part number:

- 1 903220/500** - 30mm x 500mm, aluminium
- 2 903220/400** - 30mm x 400mm, aluminium
- 3 903220/200** - 30mm x 200mm, aluminium



*Part of assembly kit
 339009 35mm
 339008 30mm




Build part numbers are for assembly guidance only and may not be for sale separately

Long stump adaptors



Tube adaptor with Endolite Full Alignment shift, rotation and tilt. Allows minimal build height. Trans-tibial system in 30mm or 35mm diameter.

Material: Aluminium
 Component weight: 185g
 Max. Amputee weight: 100kg K1-K4 (35mm)
 100kg K1-K3 (30mm)
 120kg K1-K3 (35mm)
 Build height: 43-95mm
 System diameter: 30/35mm
 Recommended for activity level: 


Part number:

339140 35mm
339240 30mm

Upper housing for T-t

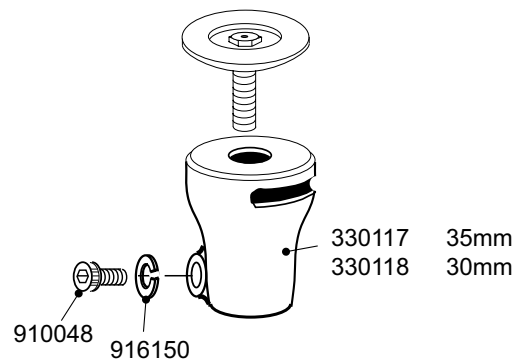
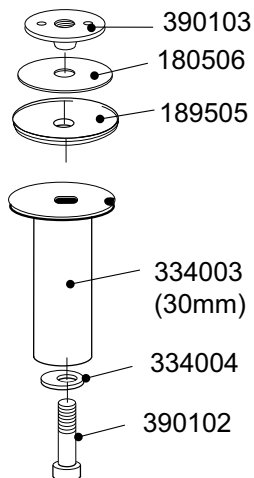
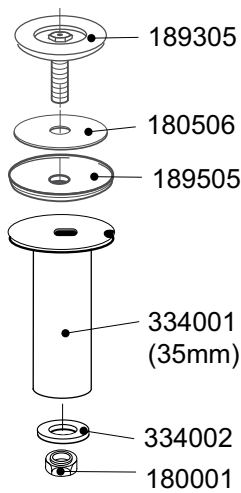


Endolite full alignment: the most accurate alignment system provides shift, rotation and tilt. Trans-tibial housing in 30mm or 35mm diameter.

Material: Aluminium
 Component weight: 142g
 Max. Amputee weight: 100kg K1-K4 (35mm)
 100kg K1-K3 (30mm)
 120kg K1-K3 (35mm)
 Build height: 59mm (25mm)
 System diameter: 30/35mm
 Recommended for activity level: 

Part number:

339009 35mm
339008 30mm




Build part numbers are for assembly guidance only and may not be for sale separately

Female adaptor kit



35mm to 30mm tube clamp allows quick connection of different diameter systems.

Material: Aluminium
 Component weight: 102g
 Max. Amputee weight: 100kg K1-K3
 125kg K1-K3
 Build height: 34+4+32 (70)mm
 System diameter: 30/35mm
 Recommended for activity level: 


Part number:

339501 35mm Female/30mm Female

F/M adaptor kit

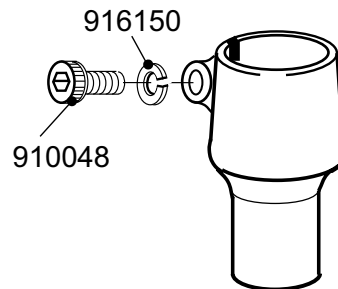
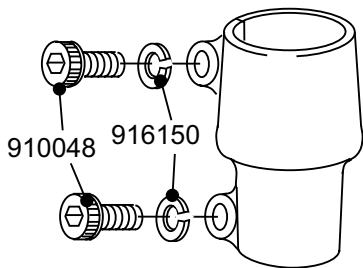


35mm to 30mm tube clamp allows quick connection of different diameter systems.

Material: Aluminium
 Component weight: 102g
 Max. Amputee weight: 125kg K1-K3
 Build height: 34+51 (85)mm
 System diameter: 30/35mm
 Recommended for activity level: 

Part number:

339301 35mm Female/30mm Male



Build part numbers are for assembly guidance only and may not be for sale separately

Ankle disartic. kit



Low profile adaptor for Symes amputation, provides 5 degrees of tilt and full rotational alignment. Can be used with Laminated or draped sockets.

Material: Aluminium/Stainless Steel
 Component weight: 141g
 Max. Amputee weight: 100kg K1-K4
 125kg K1-K3
 Build height: 20mm + foot size
 Recommended for activity level:

Part number:

399101

Multiflex ankle kit

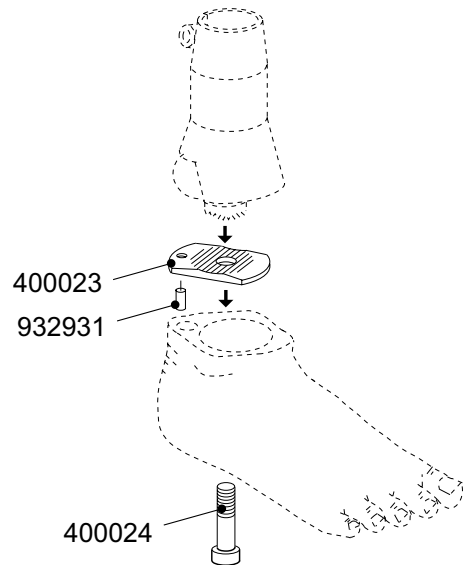
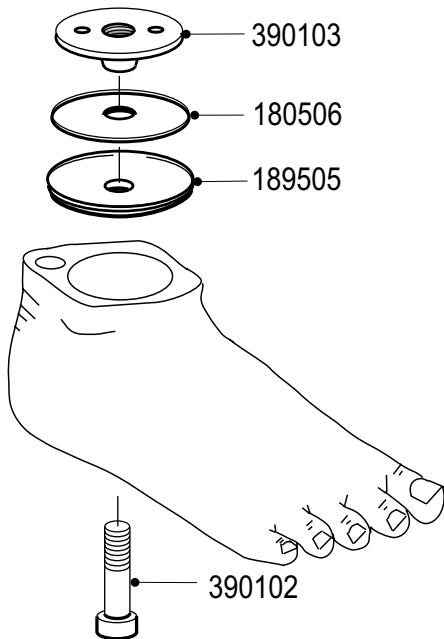


Connector attaches Multiflex Ankle to a Seattle Foot.

Material: Aluminium
 Component weight: 102g
 Max. Amputee weight: 100kg K1-K4
 125kg K1-K3
 Build height: 4.5mm + foot size
 Recommended for activity level:

Part number:

409012



Build part numbers are for assembly guidance only and may not be for sale separately

Multiflex ankle 30mm



Multi-axial ankle control with heel height adjustment for use with Multiflex Foot range, Ankle ball selection for plantar-flexion control. Snubber selection for dorsi-flexion control.

Material: Aluminium
 Component weight: 201g
 Max. Amputee weight: 100kg K1-K4
 125kg K1-K3
 Build height: 60mm
 System diameter: 30mm

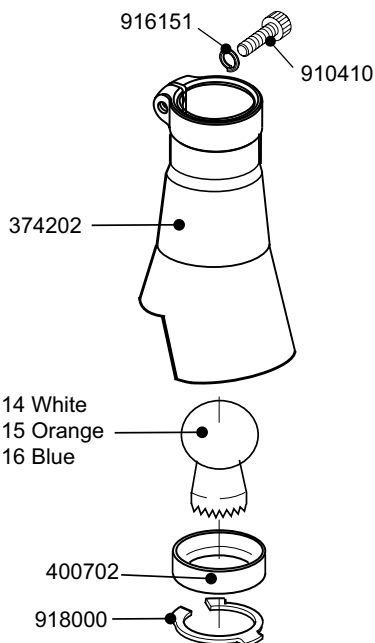
Recommended for activity level:



Part number:

- 379342** Multiflex ankle 60° W 30mm
- 379343** Multiflex ankle 70° O 30mm
- 379344** Multiflex ankle 80° B 30mm

Snubber Kits: **409007** W
409008 O
409009 B



Multiflex ankle 35mm



Multi-axial ankle control with heel height adjustment for use with Multiflex Foot range, Ankle ball selection for plantar-flexion control. Snubber selection for dorsi-flexion control.

Material: Aluminium
 Component weight: 213g
 Max. Amputee weight: 100kg K1-K4
 125kg K1-K3
 Build height: 60mm
 System diameter: 35mm

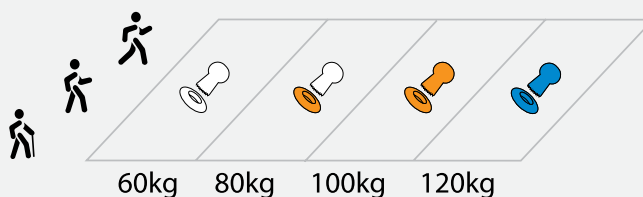
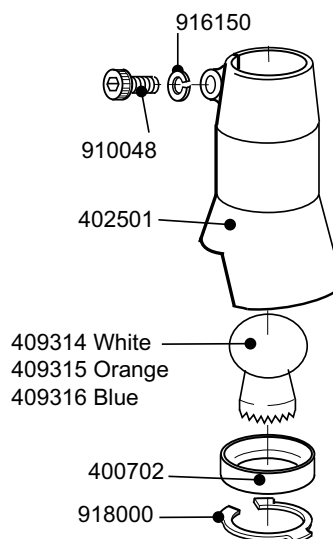
Recommended for activity level:



Part number:

- 409125** Multiflex ankle 60° W 35mm
- 409126** Multiflex ankle 70° O 35mm
- 409127** Multiflex ankle 80° B 35mm

Snubber Kits: **409007** W
409008 O
409009 B



This information is intended for prescription guidance only.

Build part numbers are for assembly guidance only and may not be for sale separately



Multiflex ankle LD 30mm



Light duty (LD) Multiflex ankle 30mm. Multiaxial ankle control, slim profile ankle, with heel height adjustment for use with Multiflex Foot range. Ankle ball selection for plantar-flexion control. Snubber selection for dorsi-flexion control.

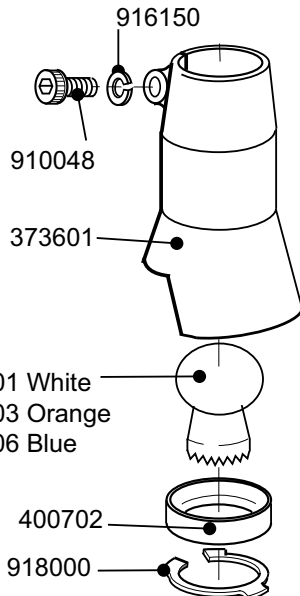
Material: Aluminium
 Component weight: 216g
 Max. Amputee weight: As per system
 100kg K1-K3
 Build height: 55mm
 System diameter: 30mm

Recommended for activity level:

Part number:

- 379538** Multiflex ankle 60° W 30mm
- 379540** Multiflex ankle 70° O 30mm
- 379541** Multiflex ankle 80° B 30mm

Snubber Kits: **409002** W
409003 O
409004 B



Multiflex ankle LD 35mm



Light duty (LD) Multiflex ankle 35mm. Multiaxial ankle control, slim profile ankle, with heel height adjustment for use with Multiflex Foot range. Ankle ball selection for plantar-flexion control. Snubber selection for dorsi-flexion control.

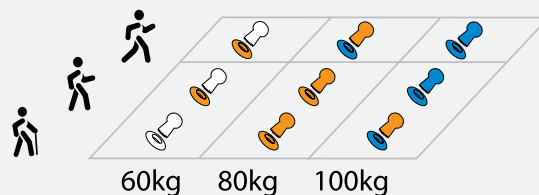
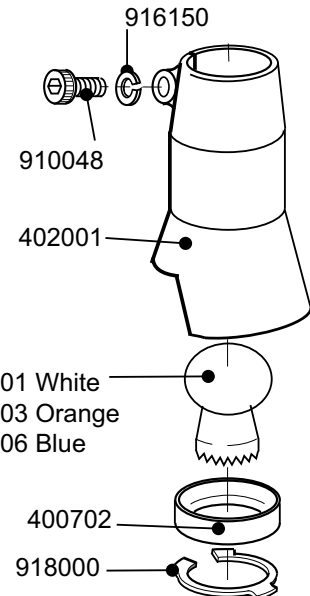
Material: Aluminium
 Component weight: 216g
 Max. Amputee weight: As per system
 100kg K1-K4
 120kg K1-K3
 Build height: 55mm
 System diameter: 35mm

Recommended for activity level:

Part number:

- 409121** Multiflex ankle 60° W 35mm
- 409122** Multiflex ankle 70° O 35mm
- 409123** Multiflex ankle 80° B 35mm

Snubber Kits: **409002** W
409003 O
409004 B



This information is intended for prescription guidance only.

Build part numbers are for assembly guidance only and may not be for sale separately

Multiflex ankle



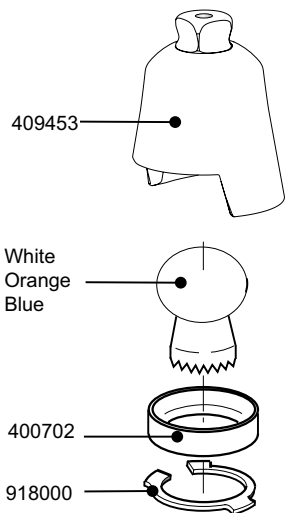
Multi-axial ankle control with heel height adjustment for use with Multiflex Foot range. Ankle ball selection for plantar-flexion control. Snubber selection for dorsi-flexion control.

Material: Aluminium
 Component weight: 199g
 Max. Amputee weight: 100kg K1-K4
 125kg K1-K3
 Build height: 58mm
 Recommended for activity level:

Part number:

- 409353 Pyramid Multiflex ankle 60° W
- 409354 Pyramid Multiflex ankle 70° O
- 409355 Pyramid Multiflex ankle 80° B

Snubber Kits: 409007 W
 409008 O
 409009 B



Multiflex pylon ankle 30mm



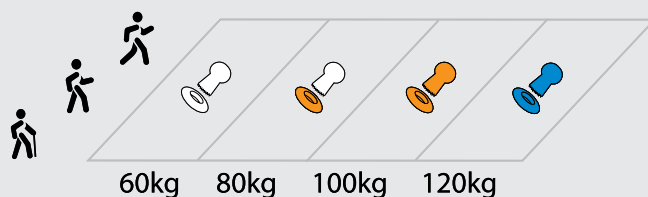
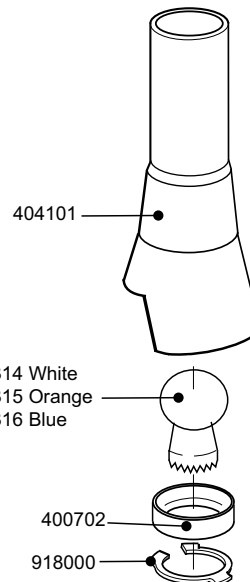
Multi-axial ankle control with heel height adjustment for use with Multiflex Foot range. Ankle ball selection for plantar-flexion control. Snubber selection for dorsi-flexion control.

Material: Aluminium
 Component weight: 225g
 Max. Amputee weight: 100kg K1-K4
 125kg K1-K3
 Build height: 100-130mm
 System diameter: 30mm
 Recommended for activity level:

Part number:

- 409241 Multiflex ankle pylon 60° W
- 409242 Multiflex ankle pylon 70° O
- 409243 Multiflex ankle pylon 80° B

Snubber Kits: 409007 W
 409008 O
 409009 B



This information is intended for prescription guidance only.

Build part numbers are for assembly guidance only and may not be for sale separately



Standard snubber



Rubber snubber kit for Multiflex ankle

Part number:

- 60° **409007** W
- 70° **409008** O
- 80° **409009** B

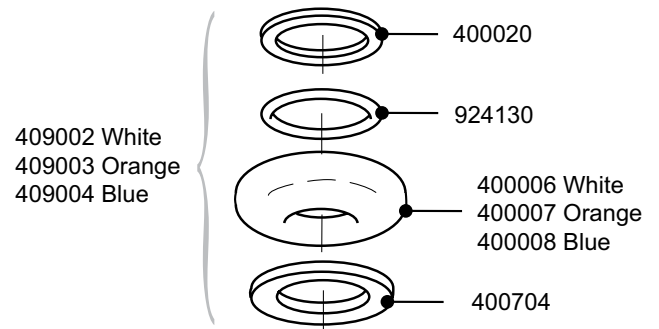
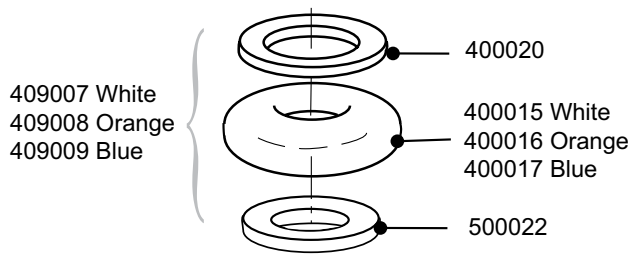
Light duty snubber



Rubber snubber kit for Multiflex ankle

Part number:

- 60° **409002** W
- 70° **409003** O
- 80° **409004** B



Brio®



Instant heel height changes! Unique demountable push button device that allows the user to adjust heel height for shoe changes or bare foot walking. 25mm range of adjustment.

Material:	Aluminium
Component weight:	392g
Max. Amputee weight:	100kg K1-K4 125kg K1-K3
Build height:	107mm
System diameter:	30mm
Recommended for activity level:	

Part number:

BRIO30

Torque absorber

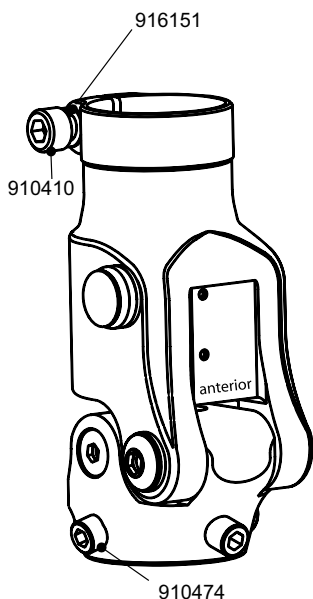


Ankle torque absorber with 90° rotation. Torsion resistance can be easily customized. Ideal for golf.

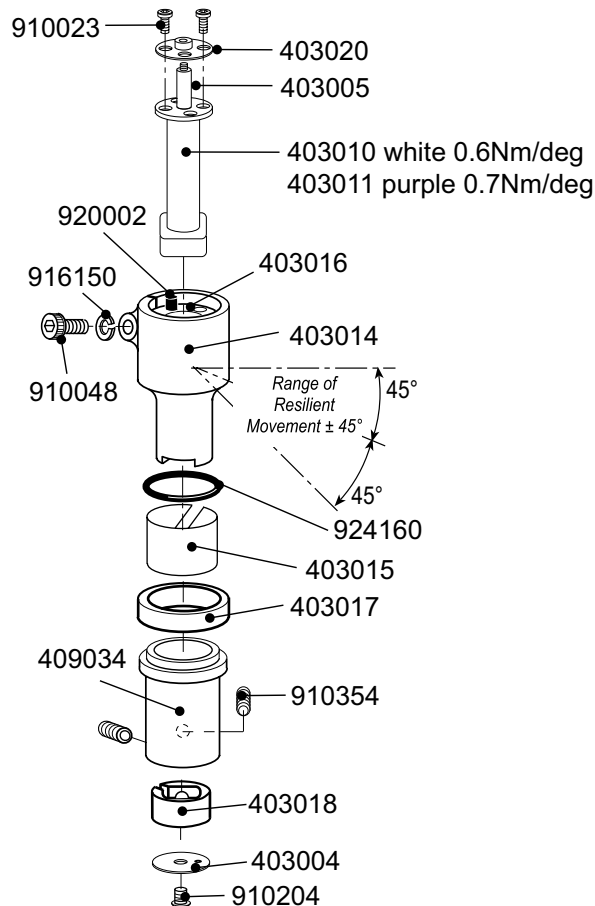
Material:	Aluminium
Component weight:	224g
Max. Amputee weight:	100kg K1-K4 120kg K1-K3
Build height:	21mm
System diameter:	35mm
Recommended for activity level:	

Part number:

409230



Fitting Instruction - 938261



Build part numbers are for assembly guidance only and may not be for sale separately

TTPRO®



This award-winning design continues to add a little magic to prosthetic gait. It cushions shock and shear forces caused by vertical and twisting motion and protects the skin interface from abrasion and discomfort.

Material: Aluminium
 Component weight: From 317g
 Max. Amputee weight: 100kg K1-K4
 125kg K1-K3
 Build height: 135 - 260mm
 System diameter: 30mm

Recommended for activity level:

44-52 53-59 60-68 69-77 78-88 89-100 101-116 117-125

	1P	2P	2P	2W	2W	3B	3B	3B
	2P	2W	3W	3W	3B	3B	3B	3B
	3W	3W	3B	3B	3B	3B	-	-

Part numbers Description

Knee chassis options with integral TTPRO

Stanceflex ESK+:

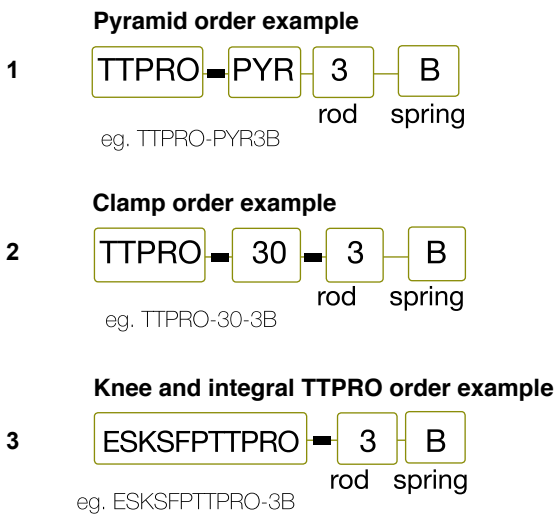
ESKSFITTPRO IP+ UK 418MHz
ESKSFIPETTPRO IP+ non-UK 433MHz
ESKSFPTTPRO PSPC
ESKSFHTTPRO Hydraulic

4 Bolt ESK+:

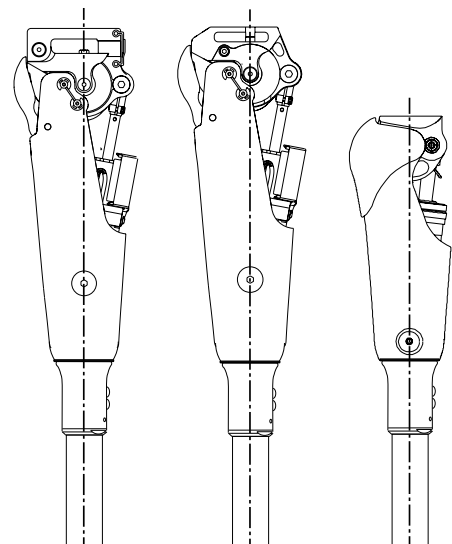
ESK4BIPTTPRO IP+ UK 418MHz
ESK4BIPETTPRO IP+ non-UK 433MHz
ESK4BPTTPRO PSPC
ESK4BHHTTPRO Hydraulic

Mercury Hi-Activity:

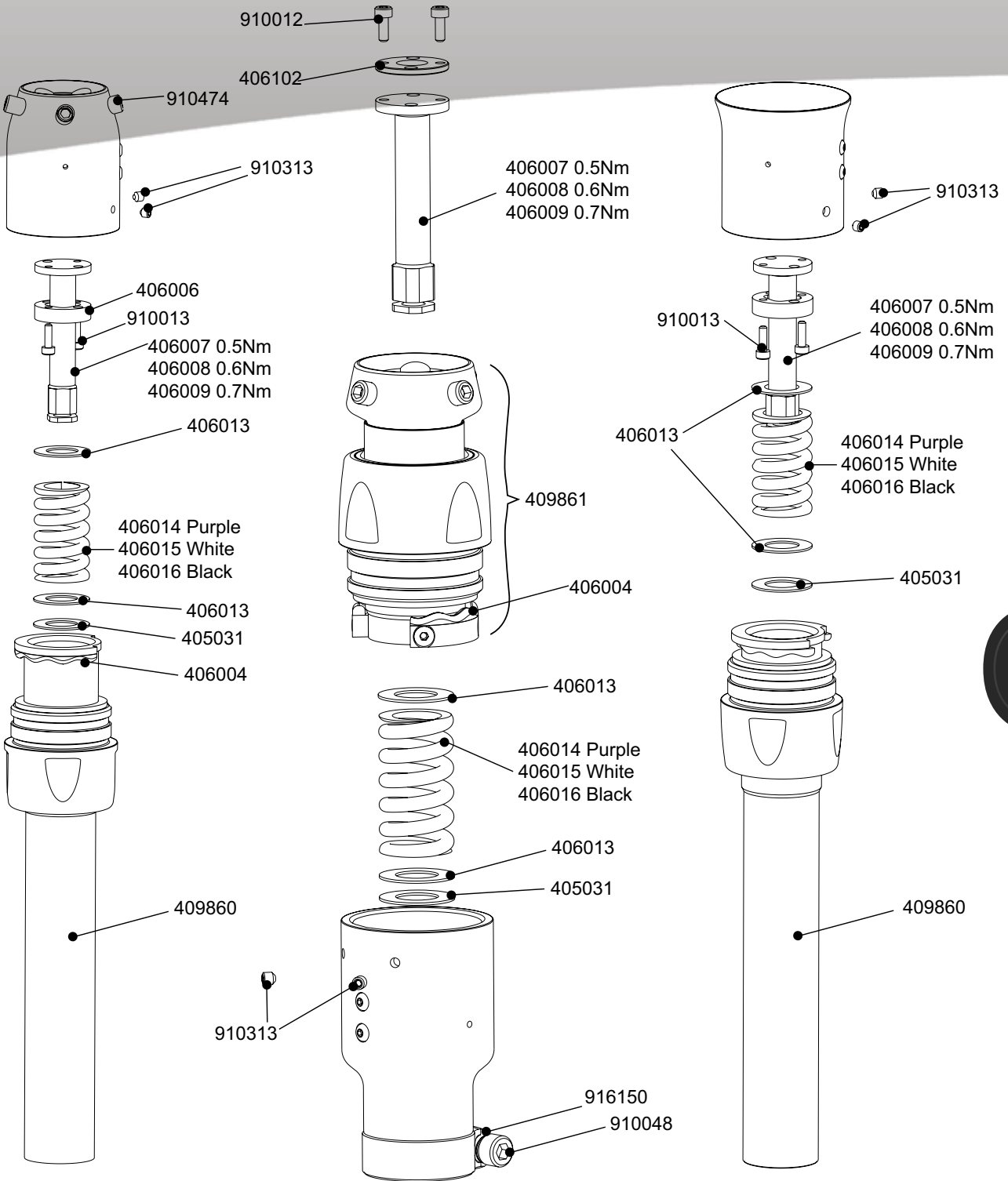
MHTTPRO Hydraulic Swing & Stance
MHTTPRO-SWING Hydraulic Swing Only



Fitting Instruction:
 938258 - Demountable
 938248 - Pyramid
 938257 - Clamp



Build part numbers are for assembly guidance only and may not be for sale separately




Build part numbers are for assembly guidance only and may not be for sale separately

T-f system

Low profile Childrens' knee with linkage design for excellent range of motion.

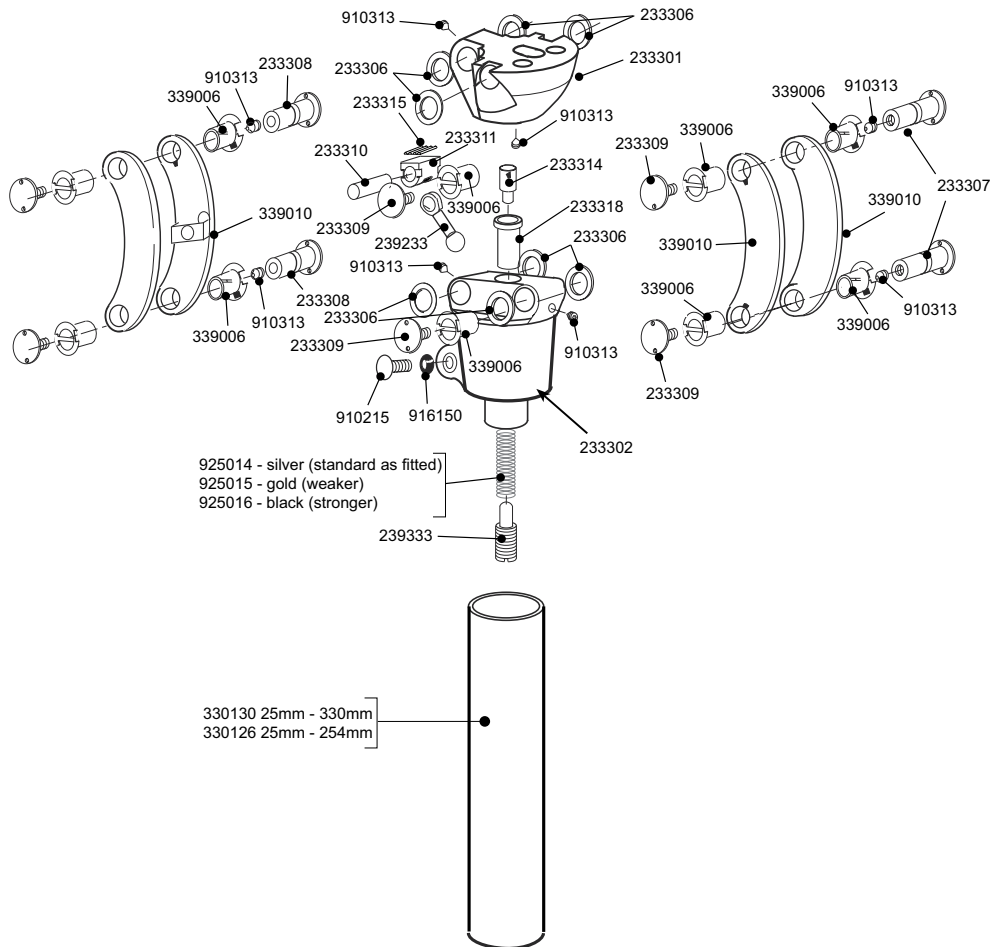
- Spring extension assist
- Stable geometry on heel strike
- Lightweight and robust knee
- Proximal Full Alignment style
- Includes carbon tube 25mm



Material: Carbon fibre/Aluminium
 Component weight: 435g
 Max. Amputee weight: 60kg
 Build height: 330mm max (254mm tube)
 405mm max (330mm tube)
 System diameter: 25mm
 Recommended for activity level: 

Part number:

019245



T-t system



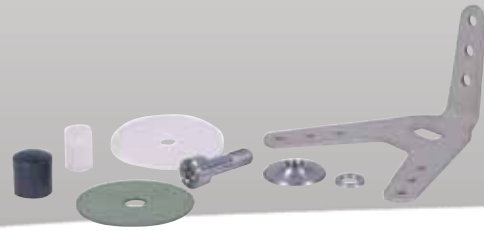
Versatile alignment with shift, rotation and tilt
Use with thermoplastic or laminated sockets.
Excellent for cosmetic finishing, trans-tibial system,

Material:	Carbon fibre/Aluminium
Component weight:	225g
Amputee weight:	60kg
Build height:	85-279mm long (+16) 85-205mm short (+16)
System diameter:	25mm
Recommended for activity level:	

Part number:

019145

T-f alignment kit



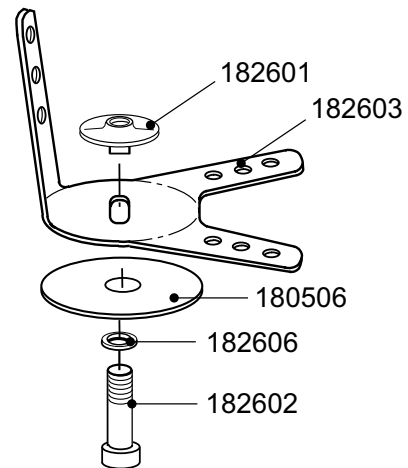
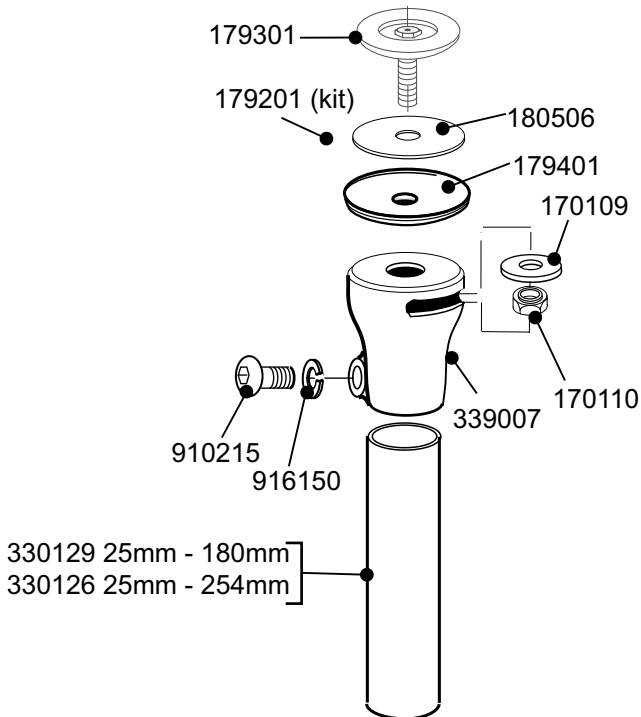
Laminated socket attachment plate with 3 anchor arms holes to thread glass or carbon fibre strands.

Material:	Stainless steel
Component weight:	125g
Amputee weight:	60kg
Build height:	9mm
System diameter:	25mm

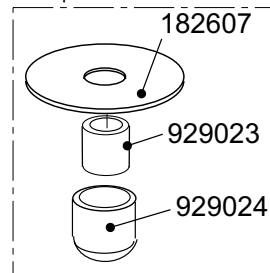
Recommended for activity level:

Part number:

189126



Disposable items




Build part numbers are for assembly guidance only and may not be for sale separately

Alignment kit



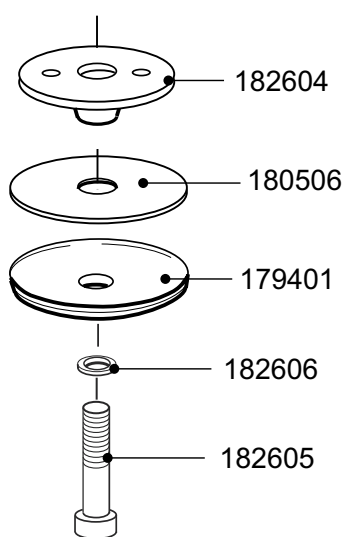
Provides rotation and angular adjustment. Use with Children's Trans-femoral System Ideal for all activity levels.

Material: Aluminium
Component weight: 64g
Amputee weight: 60kg
Build height: 16mm
System diameter: 25mm

Recommended for activity level: 

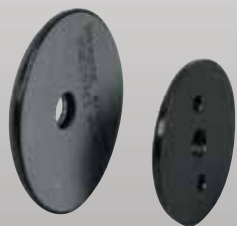
Part number:

189226



Build part numbers are for assembly guidance only and may not be for sale separately

Ankle disartic. kit



Ankle Disarticulation for Seattle Child's Play to fit foot sizes 13 - 21

Material: Aluminium
 Component weight: 45g
 Amputee weight: 60kg
 Build height: 45mm

Recommended for activity level: 

Part number:


189326

Ankle adaptor kit



Male pyramid alignment for Mercury Hi-Activity Knee and ESK+ 4Bolt knees. A/P slide pyramid enhances alignment results. Just tighten pyramid clamp to lock slider in position.

Material: Aluminium
 Component weight: 69g
 Amputee weight: 60kg
 Build height: 48mm

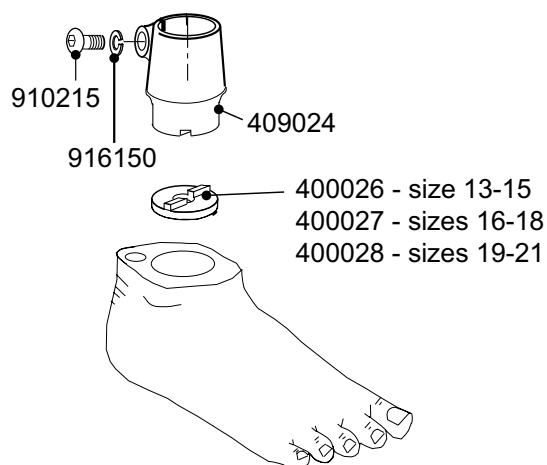
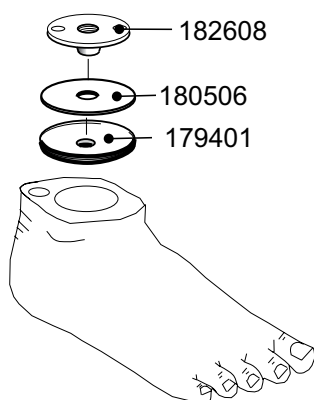
System diameter: 25mm
 Recommended for activity level: 

Part number:

409021 sizes 13-15

409022 sizes 16-18

409023 sizes 19-21



Build part numbers are for assembly guidance only and may not be for sale separately

Long stump adaptor



Adaptor for low profile set-ups where build height is minimal

Material: Aluminium
 Component weight: 70g
 Amputee weight: 60kg
 Build height: 64-102mm t-t
 115-152mm t-f
 System diameter: 25mm
 Recommended for activity level:

Part number:

409043 sizes 13-15
409044 sizes 16-18
409045 sizes 19-21

SACH adaptor



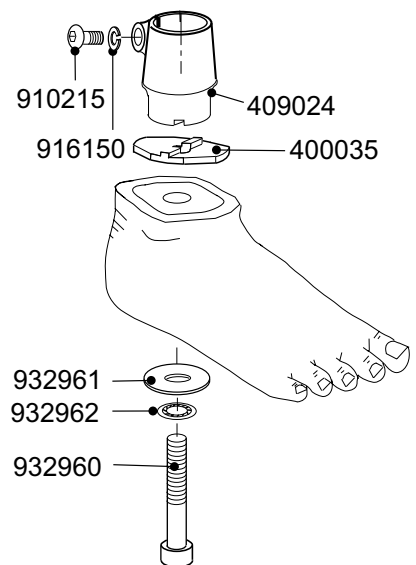
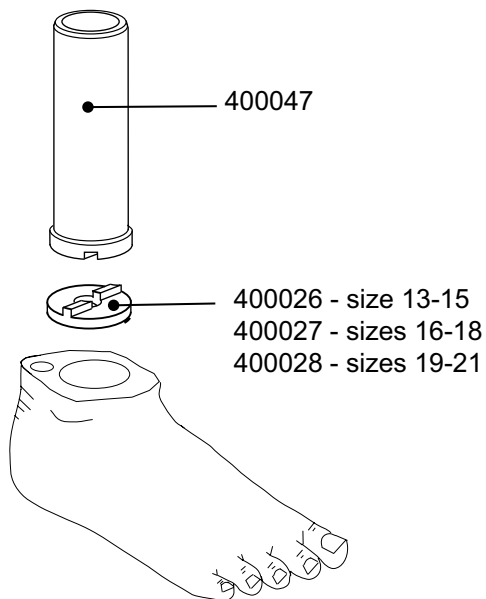
High-grade aluminium clamp with foot plate.

Material: Aluminium
 Component weight: 110g
 Amputee weight: 60kg
 Build height: 49mm (21+28)
 System diameter: 25mm
 Recommended for activity level:

Part number:

409026

note: it is important the correct foot plate is installed to provide sufficient bearing area on the Child's Play keel.




Build part numbers are for assembly guidance only and may not be for sale separately

Long stump adaptor



High-grade aluminium tube adaptor with foot plate for SACH foot, allows minimal build height.

Material: Aluminium
 Component weight: 75g
 Amputee weight: 60kg
 Build height: 64-102mm t-t
 115-152mm t-f
 System diameter: 25mm

Recommended for activity level: 

Part number:


409046

Upper housing



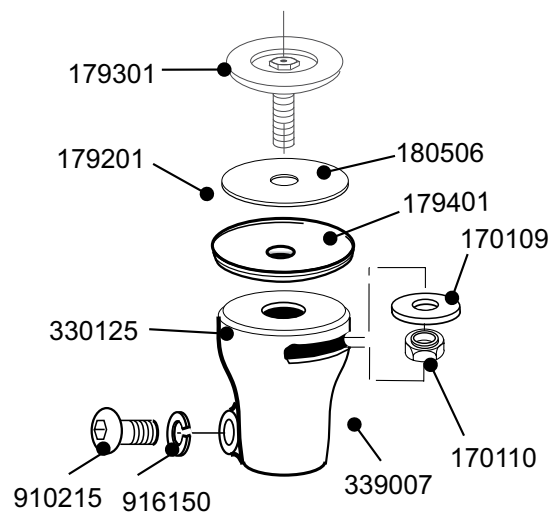
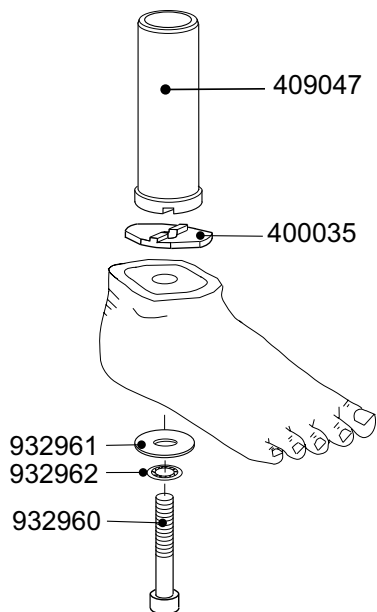
Use with thermoplastic or laminated sockets
 Versatile alignment with shift, rotation and tilt.

Material: Aluminium
 Component weight: 165g
 Amputee weight: 60kg
 Build height: 41mm (25+16)
 System diameter: 25mm

Recommended for activity level: 

Part number:

189426



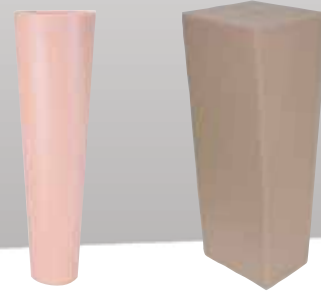
Build part numbers are for assembly guidance only and may not be for sale separately

Ankle fairings



Ankle cosmesis for Multiflex low profile feet. Perfect for shaping a slim ankle. The plastazote foam maintains excellent shape of anatomical features for a pleasing finish.

Trans-tibial Fairings

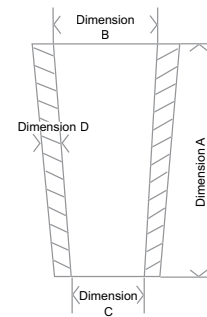


Plastazote cone for trans-tibial cosmesis. Bonds to ankle cosmesis, top of foot or other foam blocks and provides a durable finish. The foam density makes for easy machining and maintains excellent shape.

Low Profile Feet	Part Number		Size
	Left	Right	
DR2	561082	561083	22/23/24
	561084	561085	25/26
	561086	561087	27/28
	561088	561089	29/30
Multiflex Foot/ Ladies Multiflex	561068	561069	22/23/24
	561070	561071	25/26
	561072	561073	27/28
	561074	561075	29/30
Multiflex Patient Adjustable Foot	561064	561065	22/23
	561066	561067	24/25
Super SACH Foot/ Senior Foot	P561081	P561081	all sizes

Dimensions

Number	A	B	C	D
561014	470	135	85	27
561015	470	155	85	27
561012	470	175	85	27
561077	Universal unshaped, 30/35mm			



ESK T-f Fairing



Low density foam for trans-femoral cosmesis. Patented Durafoam is non-flammable and safe. It has good elasticity to minimize knee flexion resistance.

Number

- 561016** - Preformed, left small
- 561017** - Preformed, right small
- 561018** - Preformed, left large
- 561019** - Preformed, right large
- 561020** - Universal, unshaped

Demountable Knee Fairing



Low density Durafoam for shaping the shin section of a demountable cosmesis.

Number

- 561094** - Fairing Universal Unshaped
- 561095** - Fairing Shaped Small Left
- 561096** - Fairing Shaped Small Right
- 561097** - Fairing Shaped Large Left
- 561098** - Fairing Shaped Large Right

30mm pyramid based T-f systems

Number

- 560031** - Internal 55mm bore extends 200mm below knee centre
- 560032** - Internal 55mm bore extends 50mm below knee centre (suitable for Compact SAKL)



Thigh Fairing, T-f

Hip Disarticulation Fairing



Extra length unshaped Durafoam fairing

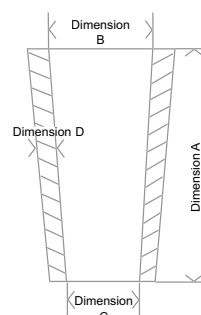
Number

- 560029** - Fairing
- 910461** - Cosmesis attachment plate retaining screw, M5 x 12 lg., 2 off

Plastazote thigh fairing for upper part of discontinuous cosmesis.

Dimensions

Number	A	B	C	D
561001	450	175	115	27
561004	450	200	140	27
561051	450	190	140	12
561052	450	150	100	12



Knee disartic. fairing



Durafoam low density cosmesis for knee disarticulation

Number

- 561021** - Universal unshaped, long
- 561022** - Universal unshaped, short
- 561023** - Fairing, Slim E4BKD, large

Adaptive Knee Fairing



Durafoam fairing with low resistance knee flexion section to optimise gait changes

Number

- 561093** - Adaptive knee fairing

Children's Fairings



Low density foam fairing for childrens' limb finishing

Number

- 561078** - Universal unshaped, 25mm, standard Trans-tibial/ small Trans-femoral, (not shown)
- 561079** - Preformed, Trans-femoral
- 561080** - Fairing, Plastazote,



T-t fabric covers



T-f fabric covers

Number			Description		
Light Tone	Medium Tone	Dark Tone	Size	Foot Size	Colour Code
571251	571253	571252	1	22 - 25	Yellow
571261	571263	571262	2	24 - 27	Blue
571271	571273	571272	3	26 - 30	Red



Number			Description		
Light Tone	Medium Tone	Dark Tone	Size	Foot Size	Colour Code
571201	571203	571202	1	22 - 25	Yellow
571211	571213	571212	2	24 - 27	Blue
571221	571223	571222	3	26 - 30	Red

Supplied in packs of two



H-d fabric covers

Number			Description		
Light Tone	Medium Tone	Dark Tone	Size	Foot Size	Colour Code
571231	571233	571232	4	26 - 30	Green

Supplied in packs of two



Stockings

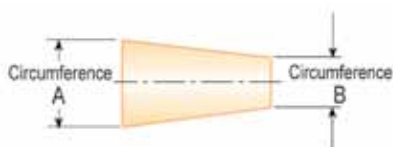
Number	Description
909209	- Unseamed toe, white nylon, 30 denier x 1.25m
909212	- Unseamed toe, brown nylon, 30 denier x 1.25m

Supplied in packs of two



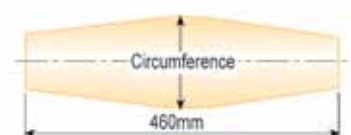
RPVC/RSi covers

Number			Description		
Light Tone	Medium Tone	Dark Tone	Size	A	B
571121	571123	571122	Small	485	295
571131	571133	571132	Medium	580	365
571141	571143	571142	Large	690	450
571151	-	571152	X. Large	800	510



Discon. RPVC cover

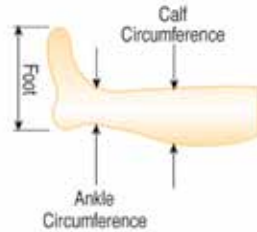
Number	Circumference	
Light Tone	Size	240mm above KC
570063	Ex. Small	360
570001	Small	390
570006	Medium	410
570011	Large	430
570016	X. Large	520



Cover, Shin, RPVC - Trans-tibial



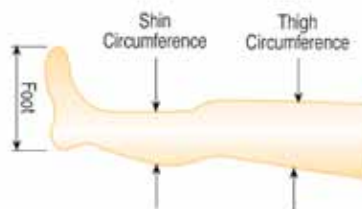
Light Tone	Number		Dark Tone	Size	Circumference		
	Medium Tone				Calf	Ankle	Foot
571081	571083		571082	X. Small	295	185	22-24
571091	571093		571092	Small	335	225	23-25
571101	571103		571102	Medium	345	225	25-27
571111	571113		571112	Large	355	235	27-28
571161	571163		571162	X. Large	355	235	29-30
570030				Medium shin, regular ankle			
570035				Medium shin, small ankle			
570049				Medium shin, regular foot			



Cover, Main, RSi-T-f



Light Tone	Number		Size	Circumference		
	Medium Tone			Thigh	Shin	Foot
571041	571043		Small ladies	420	320	23-24
571051	-		Medium ladies	460	355	23-24
571001	571003		Small mens	420	320	25-26
571011	571013		Medium mens	460	355	25-26
571021	571023		Large mens	490	400	26-28
571031	571033		X. Large mens	545	400	26-28



Discontinuous cosmesis



Discontinuous cosmesis articulates at the knee without affecting function
Robust for active users

Part number:

579719 - For use with SFESK will allow up to 140° flexion

579819 - For use with SFESK-160H will allow up to 120° flexion only
Not suitable for ESK with Manual Knee Lock

579919 - For use with EUK, SFEUK and EUK Four Bolt
Not suitable for SAKL shin modules

Wheelchair Cosmesis



Pre-shaped cosmetic wheelchair limbs
Lightweight foam with inbuilt distal positioning weight
Final shaping determines left or right side
Flame retardant Plastazote

Available in UK only

Part number:

560030 - Pre-shaped cosmetic limb

Hi-Activity Cosmesis Kit



Discontinuous cosmesis articulates at the knee without affecting knee function
Robust for active users

Part number:

579818 - Cosmesis Kit for Hi-Activity

Non-definitive T-t Cosmetic Cover



Pre-shaped plastic cosmeses for temporary use.
Simply position on prosthesis, trim and tape into place

Part number:

580011 - Cosmetic cover, small
580014 - Cosmetic cover, medium
580017 - Cosmetic cover, large

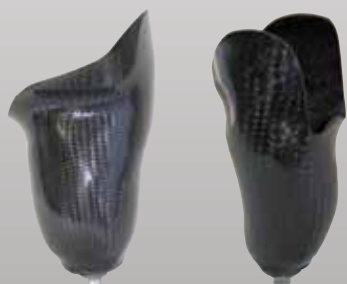
Mercury Discontinuous Cosmesis Kit



Parts	Description	Dimension		Wall dimension
		Distal	Proximal	
561014	Shin Fairing	85 mm	135 mm	27mm - wall
561015	Shin Fairing	85 mm	155 mm	27mm - wall
561012	Shin Fairing	85 mm	175 mm	27mm - wall
561001	Thigh Fairing	115 mm	175 mm	27mm - wall
561004	Thigh Fairing	140 mm	200 mm	27mm - wall
561051	Thigh Fairing	140 mm	190 mm	12mm - wall
561052	Thigh Fairing	100 mm	150 mm	12mm - wall
580048	Shin Sleeve			
572501	Knee ball small			
572502	Knee ball medium			
572504	Support sleeve			

Knee details on page 34/35

Carbon Socket



Unique pre-prepared, carbon fibre, single lamination lay up that is tested to 150kg for moderate activity. Available in both male and female pyramid version

Material: Carbon fibre/Aluminium
 Amputee weight: 145kg K1-K4
 150kg K1-K3

Recommended for activity level:



Part number:

- 109109 - One shot socket Male Pyramid 15cm
- 109209 - One shot socket Male Pyramid 20cm
- 109309 - One shot socket Female Pyramid 15cm
- 109409 - One shot socket Female Pyramid 20cm

General Items

Number	Description	Width
909223	Carbon fibre tape	38
909222	Carbon fibre tape	75
905216	High density plastazote	
909201	Glass needle mat	
909202	Glass fibre stockinette	100
909203	Glass fibre stockinette	150
909204	Glass fibre stockinette	200
909205	Glass fibre stockinette	300
909103	Nylon stockinette	100
909107	Nylon stockinette	150
909100	Non-woven terylene felt	
905001	Polyester resin, rigid	
905002	Polyester resin, flexible	
905003	Accelerator	
905004	Catalyst	
927301	Pigment, flesh	
905100	Acrylic resin, ready mixed 80/20 (4.6 kg)	
905102	Acrylic resin, C (0.9 kg)	
905106	Hardener powder (0.15 kg)	
905110	Sealing resin (0.9 kg)	
905115	Colour paste, light/skin	
905116	Colour paste, white	
905117	Colour paste, brown	
905121	Hard foam H300 (4.6 kg)	
905131	Hardener for H300 (4.6 kg)	
905140	Cast resin 103P (4.6 kg)	

Hip disarticulation support plate

Number

- 099933 - Carbon fibre plate lay-up kit

Socket Lock



A robust socket lock for Silicone and Gel liners. Ratchet operation provides audible feedback for amputee. Can be laminated or thermoformed into position

Part number:

- 109108 - Socket Lock for use with Silicone Sockets (supplied with M10 Lock Rod)
- 109308 - Lock Rod Assembly M10
- 109408 - Lock Rod Assembly 1/4" UNC

Socket Valves



Various valve options for Suction Sockets

Part number:

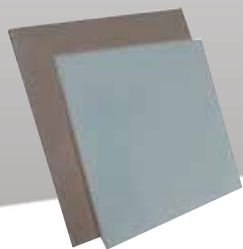
- Trans-femoral Suction Socket Valve Kit
- 099132 - Standard 19mm dia. orifice
- 099134 - Large 24mm dia. orifice

- Trans-femoral, Flexible Socket Valve Kit
- 099135 - Large 24mm dia. orifice

- Teufel Valve Kit with valve
- 099012 - Long
- 099013 - Short

- Teufel Valve Kit without valve
- 099014 - Long
- 099015 - Short

Flexible Thermoplastic Socket Material



Socket liner



Various plastics for Thermoformed sockets.
Readily formable for all levels of amputation.
Technical Manuals available for instructions on use

Polyethylene PE MPE PLUS

Number	Size	Thickness
904263	305 x 305	6
904264	305 x 305	9
904266	343 x 343	6
904267	343 x 343	9
904260	406 x 406	6
904261	406 x 406	9
904268	420 x 420	9



Seaflex flexible thermoplastic socket material Polyolefin elastomer

Number

SFLEX40012.7N10 - 12.7 x 406
SFLEX40012.7N20 - 12.7 x 406
SFLEX40012.7N3 - 12.7 x 406
SFLEX40016N20 - 16 x 406
SFLEX4009.5N300 - 9.5 x 406
SFLEX9.5N100 - 1220 x 812 x 9.5
SFLEX9.5N200 - 1220 x 812 x 9.5
SFLEX9.5N300 - 1220 x 812 x 9.5
 Laminated Sockets ISNY type Trans-femoral

Number

932361 - Frame lamination kit, 3mm core (normal)
932362 - Frame lamination kit, 4mm core (long stump)

Cross linked expanded polyethylene foam (160 kg/m3)

Number	Sheet size	Thickness
NFOAM2F170	950 x 950	2
NFOAM2W170	950 x 950	2
NFOAM3F170	950 x 950	3
NFOAM3W170	950 x 950	3
NFOAM5F170	950 x 950	5
NFOAM5W170	1000 x 1000	5
NFOAM7F170	950 x 950	7
NFOAM7W170	1000 x 1000	7

Flesh colour cross linked expanded polyethylene foam (33 kg/m3)

Number	Sheet size	Thickness
905227	1000 x 2000	12
905226	1000 x 2000	27
905228	1000 x 2000	30

Flexible socket liner with "silver shield" EVA/low density polyethylene

Number	Sheet size	Thickness
NVANESQ3439N24	343 x 343	9
NVANESQ34312N24	343 x 343	12
NVANESQ4006N24	406 x 406	6
NVANESQ4009N24	406 x 406	9
NVANESQ40012N24	406 x 406	12

IMPORTANT

In accordance with COSHH regulations Safety Data. Sheets are available on all parts listed in this Section. Copies of relevant Data Sheets are available on request.

Note: Hazardous and Inflammable Products. Certain products listed in this section are hazardous and/or inflammable and may be subject to transport restrictions. Our customer service department will confirm whether or not products can be dispatched by your chosen method.

Socket frames



Extruded natural polypropylene homo-polymer

Number	Size	Thickness
HPPSQ34312N	343 x 343	12
HPPSQ40612N	406 x 406	12
HPPSQ40615N	406 x 406	15

Extruded natural polypropylene co-polymer

Number	Size	Thickness
CPPSQ30512N*	305 x 305	12
CPPSQ30512F	305 x 305	12
CPPSQ34312N	343 x 343	12
CPPSQ34312F	343 x 343	12
CPPSQ34315N	343 x 343	15
CPPSQ34315F	343 x 343	15
CPPSQ40612N	406 x 406	12
CPPSQ40612F	406 x 406	12
CPPSQ40615N	406 x 406	15
CPPSQ40615F	406 x 406	15
CPPSQ46042015N	420 x 460	15
CPPSQ46042015F	420 x 460	15

* N = natural F = flesh

Semi-rigid diagnostic thermoplastic sockets Compression moulded PETG co-polyester

Number	Size	Thickness
NPLEXSQ3056	305 x 305	6
NPLEXSQ3059	305 x 305	9
NPLEXSQ3439	343 x 343	9
NPLEXSQ4066	406 x 406	6
NPLEXSQ4069	406 x 406	9
NPLEXSQ40612	406 x 406	12
NPLEXSQ40615	406 x 406	15
NPLEXSQ4604209	420 x 460	9

Semi-rigid thermoplastic sockets Extruded flesh colour polypropylene co-polymer

Number	Description
090015	- Pad, reinforcing, suspension t-f PP socket
0190016	- Pad, reinforcing, suspension and release control t-f PP socket
090021	- Pad, reinforcing, release control t-f PP socket

Trans-tibial suspension sleeves



Neoprene sleeves for Trans-tibial proximal suspension. Robust covers provide excellent security. Range of sizes available

029071 - 029078 - Trans-tibial Suspension Sleeves

Number	Size	Fitting Range
029071	1	240mm - 275mm
029072	2	265mm - 305mm
029073	3	290mm - 330mm
029074	4	320mm - 360mm
029075	5	350mm - 400mm
029076	6	385mm - 440mm
029077	7	425mm - 485mm
029078	8	465mm - 530mm

Roehampton Suspension Kit



Silesian style suspension system

Leather belt for strength and comfort

029127 - Roehampton Soft Suspension Kit (Silesian)

Number	Description
029227	- Waist Belt
029327	- Down Strap, front lower
029427	- Double Buckle and Chap
022703	- Down strap, rear
022704	- Down strap, front upper
050001	- Stud, 2 off
917141	- Rivet, hose hd., No. 10 x 7/8" copper plated, 2 off
917702	- Rivet, cap 11mm dia., 4 off
917703	- Rivet, tubular stem 9mm lg., 6 off
917705	- Rivet, cap, No. 1, 2 off

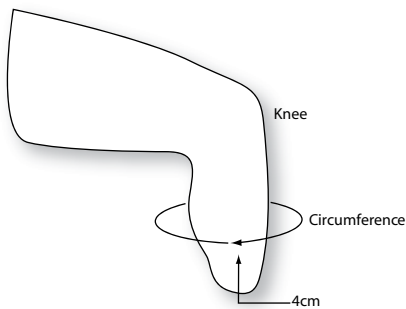
Part numbers are for assembly guidance only

Parasil Liner



Our latest silicone liner combines a sleek, glide-on surface texture for ease of donning and doffing, with a stabilizing matrix, which effectively minimises pistoning. The distal threaded connection allows for the standard locking pins

Number	Description	Circumference (cm)
3020L-18	Parasil Locking Liner	18
3020L-20	Parasil Locking Liner	20
3020L-22	Parasil Locking Liner	22
3020L-23.5	Parasil Locking Liner	23.5
3020L-25	Parasil Locking Liner	25
3020L-26.5	Parasil Locking Liner	26.5
3020L-28	Parasil Locking Liner	28
3020L-30	Parasil Locking Liner	30
3020L-32	Parasil Locking Liner	32
3020L-34	Parasil Locking Liner	34
3020L-36	Parasil Locking Liner	36
3020C-18	Parasil Cushion Liner	18
3020C-20	Parasil Cushion Liner	20
3020C-22	Parasil Cushion Liner	22
3020C-23.5	Parasil Cushion Liner	23.5
3020C-25	Parasil Cushion Liner	25
3020C-26.5	Parasil Cushion Liner	26.5
3020C-28	Parasil Cushion Liner	28
3020C-30	Parasil Cushion Liner	30
3020C-32	Parasil Cushion Liner	32
3020C-34	Parasil Cushion Liner	34
3020C-36	Parasil Cushion Liner	36

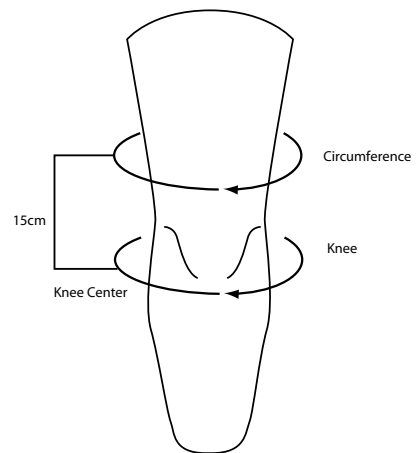


Knitted Sleeve



The suspension sleeve, designed using scanned human skeletal information, incorporates a series of knitting properties that allow variable stretch and compression zones to promote suspension and increase comfort. Added flexibility anterior to the knee allows unrestrained flexion, compressed profile posterior to the knee minimises discomfort during flexion.

Number	Description
3DSS4	3D Sleeve size 4
3DSS5	3D Sleeve size 5
3DSS6	3D Sleeve size 6



Size	4	5	6
Circumference 15cm above KC	38	39.5	41
Circumference at KC	31	32.5	34

IMPORTANT

In accordance with COSHH regulations Safety Data Sheets are available on all parts listed in this Section. Copies of relevant Data Sheets are available on request. Note Hazardous and Inflammable Products. Certain products listed in this Section are hazardous and/or inflammable and may be subject to restrictions in transportation. Our Customer Services Department will confirm current units of measure and whether or not products can be dispatched by your chosen method.

Stockings



- 909209 - unseamed, white nylon, 30 denier x 1.25m
- 909210 - unseamed, white nylon, 22 denier x 1.25m
- 909212 - unseamed, brown nylon, 30 denier x 1.25m



- 909103 - nylon tubular 10cm - 50m roll
- 909107 - nylon tubular 15cm
- 930004 - cotton 4" - 10m roll
- 930007 - cotton 6" - 10m roll

Spatula



- 937040 - spatula, wood

Sundries



- 609175 - casting pants, hip disarticulation (shown)
- 936084 - draping bag, hip disarticulation

Ballet Tights (pink)



- 932340 - Size large pink ballet tights 100% stretch polyamide (nylon)
- 932341 - Size extra large pink ballet tights 100% stretch polyamide (nylon)

Velcro Tape



- 909507 - Hook type self adhesive, 19mm (3/4") wide
- 909508 - Loop type self adhesive, 19mm (3/4") wide

Tape



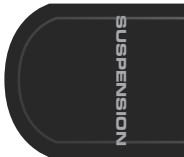
- 926401 - self adhesive, 50mm (2") double sided cloth
- 926422 - self adhesive, 25mm (1") clear PVC
- 926402 - cloth 50mm (2")

Stump Socks



- 932310 - Stump sock cotton 12"
- 932315 - Stump sock cotton 22"
- 932327 - Stump sock for thermoforming sockets

- Body sock for hip disarticulation
- 572001 - Large, 65cm long, green stitching (BS01)
- 572002 - Medium, 55cm long, red stitching (BS02)
- 572003 - Small, 50cm long, blue stitching (BS03)



Sundries continued

Pot



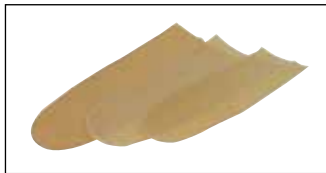
- 936030 - mixing 16oz, polypropylene
- 936033 - mixing 64oz, polypropylene

Cup



- 937080 - paper chinacote, 9 fl. oz
- 937081 - paper waxed, 24 fl. oz

Cone



- 940625 - latex, small,
- 940626 - latex, medium
- 940627 - latex, large

Tubigrip



- 930002 - size F (10cm), 930015 size L (32.5cm)

Adhesives



- 926001 - Adhesive, Loctite 222
- 926012 - Adhesive, Loctite 243
(supersedes Loctite 242 which is no longer available)
- 926162 - Endolite structural adhesive
- 926104 - Adhesive, Loctite IS424
- 926204 - Adhesive, Dunlop Thixofix
- 926213 - Adhesive, Evostik 528
- 926005 - Loctite 638 retainer
- CD4150 - Cyote Quick Adhesive 50cc
- CD401 - Mix tips 6 pack (for CD4150)
- CD402 - Mix tips 20 pack (for CD4150)
- CDDMA51 - Quick Adhesive Dispenser (for CD4150)

Lubricants



- 928105 - STP oil treatment
- 928320 - Sealant, silicone rubber RTV108
- 928404 - Release agent, anti-stick spray
- 928001 - Petroleum jelly
- 928009 - Greasil 4000
- 928107 - Rubber and nylon lubricant
- 928018 - Grease-PTFE Impregnated-380g (Foodlube)
- 928017 - Grease-PTFE Impregnated-4kg (Foodlube)
- 928015 - Rocol sapphire endure

Tools and Equipment

The fabrication process for Endolite limb systems has been taken into account in the design and in order to minimise fabrication time there are a number of specialised tools available to facilitate fast and accurate assembly. We recommend that the specialised tooling be routinely employed to ensure efficient fabrication and optimal performance for the amputee. All tools necessary for the manufacture of Endolite limbs are included in this section

Personal Protection Equipment

The equipment offered is included as a service to our customers, however the responsibility remains for the user to ensure that adequate precautions are taken to meet local regulations and to provide an acceptable level of protection. Copies of relevant data sheets are available on request.

Cast Equipment



941104 - Wall frame



941240 - Wall frame Clamp



941105 - Cast taper mandrel



Cast wrap holder
941106 - trans-femoral
941107 - trans-tibial



941108 - Socket alignment mandrel, trans-femoral



941112 - Vertical cast holder support



941110 - cast support taper
941218 - cast support taper for plaster bench (not shown)



941113 - Align mandrel for polypropylene container



Cast build up former
941109 - dummy knee
941167 - small dummy knee (used with former 940637)



940671 - Children's cast build up former, dummy knee large/small (use with formers 940665 and 940666)

Socket tools



941503 - vacuum bench (includes 941129 and 941131)

Drape tables



941129 - small (t-t and t-f)
941131 - large (t-f and hip disartic')
941183 - drape table (hip disartic')



941133 - stem for drape tables

Drape formers



940636 - trans-femoral
940637 - small trans-femoral



Tools & Equipment

Drape former and spigots



- 940638** - small, transtibial (reducing alignment)
- 940639** - small, knee disarticulation
- 940647** - knee disarticulation
- 940665** - Children's small t-t and t-f
- 940666** - Children's large t-t and t-f

Formers - Hip Disarticulation



- 940643** - internal. **940644** - external



- 941232** - Internal former positioning jig, hip disarticulation

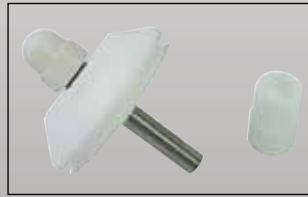


- 940021** - Teufel valve assembly tool



- 940635** - Teufel boss former

Socket Former kits



- 940661** - for laminated sockets (all formers)
- 940673** - standard trans-femoral
- 940674** - standard knee disarticulation
- 940675** - standard trans-tibial and small knee disarticulation
- 940676** - small trans-tibial
- 940677** - small trans-femoral
- 940678** - ankle disarticulation
- 940672** - Children's for laminated sockets all formers
- 940679** - Children's large trans-femoral and large trans-tibial
- 940680** - Children's small trans-femoral and standard trans-tibial



- 941158** - Vacuum post for laminating

Drape Frames



- 941114** - 342mm sq., blank
- 941117** - 305mm sq., blank
- 941118** - 406mm sq., blank
- 941119** - 420 x 460mm, blank
- 941174** - spacer (use with 941114)
- 941175** - spacer (use with 941117)
- 941176** - spacer (use with 941118)
- 941177** - spacer (use with 941119)

Drape Ovens



- 941500** - 250 volts, 50Hz
- 941502** - 110 volts, 60Hz



- 940320** - Timer, digital countdown



- 940311** - Hot air welding gun



- 940571** - Replacement blades for hot knife



- 940407** - socket end trimming cutter
- 940414** - replacement blade set
- 940642** - Blade setting block

Hole cutters



- 940582** - 27mm dia.
- 940583** - 30mm dia.
- 940584** - 25mm dia.
- 940585** - 46mm dia.
- 940586** - 19mm dia.

Cutting tools



- 940403** - 12mm dia.
- 940404** - 21mm dia.

Flap brushes



937025 - fine, 937026 - medium



940408 - Flattening cutter



941121 - Drill jig, thigh release (trans-femoral)



940816 - Routing cutter, cylindrical (hip disarticulation)



940817 - Routing cutter, cylindrical ball nose

Jigs



941205 - Slot guide jig,
941206 - Drill jig.



941120 - Mandrel support - side assembly

General Tools



941125 - Multiflex ankle assembly jig
941170 - replacement cup
941215 - replacement pot housing
941182 - replacement bridge and screw set
941169 - replacement split collet



941239 - Pot housing for pyramid ankles (as shown)
941241 - (kit) Adaptor for 125kg Multiflex ankles both for use with 941125



940022 - Ankle socket wrench



941214 - Multiflex ankle extractor cup, universal

940083 - Snubber assembly tool



941127 - Multiflex ankle snubber assembly tool

Foot Spanners



940023 - 9/16" AF socket (inc. tommy bar)
940079 - 5/16" AF driver (inc. tommy bar) as shown



940327 - Circlip pliers, ankle

Cutting jigs



941216 - 35mm dia. tube
941237 - 30mm dia. tube
941238 - Children's 25mm dia. tube



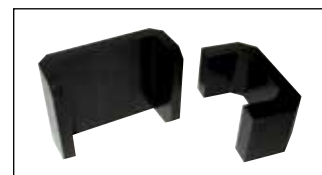
940049 - Dummy roll pin for Stanceflex strap



940050 - Location pin, trans-femoral for SFESK

940084 - KX06 alignment pin

940274 - T20 Torx 3/8" drive bit



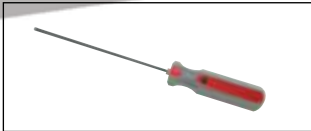
941250 - Rear link clamp
941251 - Body clamp (941252 - both) for KX06
941254 - KX06 cylinder exchange tool kit

Tools & Equipment

"T" handle wrench keys



940248 2mm AF, 940250 2.5mm AF



940088 - 2.5mm AF Hex Driver for ESK+ adjustment



940052 - Adjuster key (Multiflex patient adjustable foot)



940272 - Nut spinner 5.5mm(7/32") AF



940054 - Peg spanner, pivot pins (2 required)



940060 - Peg spanner, ankle disarticulation



940350 - Tube dispensing gun



940262 - Spanner, O/E 7 x 8mm, SAKL



940270 - spanner, 6 x 6mm AF, PSpC and ICS

Combination spanners



940261 - 10mm AF
940273 - 13mm AF
940012 - alignment

Drills



940514 - 6mm dia.
940516 - 4.2mm dia.
940519 - 9mm dia.

Wrench Key



940232 - 1.5mm AF
940233 - 2mm AF
940234 - 2.5mm AF
940235 - 3mm AF
940236 - 4mm AF
940080 - 4mm AF (Elite foot)
940237 - 5mm AF
940238 - 6mm AF
940239 - 8mm AF
940211 - 5/16" AF



940047 - valve spanner (for valves 099132/4/5)



940063 - Key locking ring



940070 - TT locking ring spanner
940081 - Torque spanner adaptor for Elite Foot (not shown)

Torque wrench



940057 - Torque wrench and adaptor kit

940056 - torque wrench
940058 - extension ring spanner
940296 - extension bar 3/8" sq,
940226 - hex. socket 9/16" AF
940229 - hex. socket 5/16" sq. socket
940230 - screwdriver socket 5/16" sq. socket
940266 - screwdriver socket 5mm AF
940267 - screwdriver socket 6mm AF
940271 - screwdriver socket 4mm AF



940056 - Torque wrench

Personal Protection Hands



939000 - Heavy duty gloves, terry cloth

Rubber Gloves:
939001 - gauntlet, size 9
939002 - gauntlet, size 10
Rubber Gloves: 939004 - medium
939005 - large
939007 - Disposable gloves, large
939009 - Oven gloves, (Kevlar) gauntlet, lined
939042 - Gloves, black heavyweight, medium
939050 - gloves, cotton

Personal Protection Eyes



- 939073** - safety glasses, blue
- 939014** - goggle, chemical Panoramette
- 939016** - replacement lens for 939014
- 939072** - spectacles, safety BS2092/1

Personal Protection Respiration



- 939019** - safety mask, disposable

Personal Protection Clothing



- 939060** - Apron, green polythene, 50cm long, 100 per roll

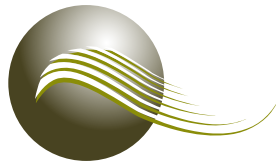


- 939030** - Earmuff - liquid filled
- 939032** - E.A.R. model 200 caps
- 939031** - E.A.R. cabocord foam earplugs



	Page		Page
Introduction	2	Activity Monitors	67-68
Contents	3	LAM3	68
Company history	4-5	PALlite™	68
Warranty information	6	Hip Disarticulation	69-72
Activity guides, Symbols, abbreviations	7	Module assembly 4-bar hip disarticulation	70
Prescription Guide	8-9	Alignment adaptor kit for 4-bar hip disarticulation	71
Feet	10-28	Adapters	73-102
Foot Selection Chart	10	Socket alignment and adapters	75-86
Elite VT	13	Tubes and clamps	87-94
Elite Blade	14	Shin and ankle devices	95-102
Elite2 Foot®	15	T-t lamination anchor	75
Echelon	16	Pyramid 4-bolt	76
Epirus	17	KX06 adaptor kit	76
Esprit®	18	T-f EP-MSR	77
Navigator Foot®	19	T-f EP-FSR	77
Dynamic Response 2	20	Pyramid- rotate & slide	78
Multiflex Foot Ladies	21	T-t pyramid alignment	78
Multiflex Foot Standard	22	Female pyramid adaptor	79
Multiflex Special Edition	22	Full align. pyramid	79
Super SACH Foot	23	Pyramid shift adaptor L	80
Patient Adjustable Foot	24	Pyramid shift adaptor S	80
Senior Foot	25	T-t alignment kit	81
Aqualimb	26	T-f short knee alignment	81
Build Heights	27	KX06 alignment kit	82
Knees	29-60	T-f short knee alignment	82
Knee selection chart	30	T-f short knee adaptor	83
KX06	32-33	Alignment kit	83
Mercury Hi-Activity	34-36	T-f turntable kit	84
Mercury Discontinuous Cosmesis Kit	35 & 118	T-f 4-bolt adaptor kit	84
Smart Adaptive knee	37-38	Wood adaptor kit	85
Smart IP® Stanceflex, Smart IP® 4-bolt	39-41	Cup & strut kit	85-86
ESK+ Stanceflex with IP+, ESK+ 4-bolt with IP+	42-44	Pyramid clamp 30mm	87-88
ESK+ Stanceflex with PSPC, ESK+ 4-bolt with PSPC	45-47	Pyramid clamp 35mm	87-88
4-Bar Knee disarticulation with PSPC	48	Pyramid adaptor	89
ESK+ Manual knee lock with PSPC	49-50	Shin kit	89
EUK with SAKL, EUK 4-bolt with SAKL	51-52	Pyramid pylon 30mm	90
4-Bar Knee disarticulation with SAKL	53	Pyramid pylon 35mm	90
Compact semi-automatic knee lock (SAKL)	54	Carbon tube	91
Knee Build Heights	55-58	Aluminium tube	91
Communication devices	61-62	T-t shin systems	91
IP+ programmer	62	Long stump adaptors	92
Comms. device	62	Upper housing for T-t	92
Controls	63-66	Female adaptor kit	93
Control fitting kits for KX06	64	F/M adaptor kit	93
Control fitting kits for ESK+ and ESK/MKL modules	64	Ankle disartic. kit	94
Control fitting kits for EUK and EUK 4-bolt modules	65	Multiflex ankle kit	94
Service exchange units	66	Multiflex ankle 30mm 35mm	95
		Multiflex ankle LD	96
		Multiflex pylon ankle 30mm	97
		Multiflex ankle (pyramid)	97
		Standard snubber	98
		Light duty snubber	98
		Brio®	99
		Torque absorber	99
		TTPro®	100-101

	Page		Page
Children	103-110	Tools & Equipment	125-129
T-f system	104	Cast Equipment	125
T-t system	105	Socket tools	125
T-f alignment kit	105	Drape tools	125
Alignment kit	106	Drape tables	125
Ankle disartic. kit	107	Drape formers	125
Ankle adaptor kit	107	General Tools	126-128
Long stump adaptor	108	Personal Protection Hands	128
SACH adaptor	108	Personal Protection Eyes	129
Long stump adaptor	109	Personal Protection Respiration	129
Upper housing	109	Personal Protection Clothing	129
Cosmesis	111-118		
Ankle fairings	112		
T-t Fairings	112		
ESK T-f Fairing	113		
Demountable Knee Fairing	113		
30mm T-f system	113		
Fairing, Thigh T-f	113		
Hip Disarticulation Fairing	113		
Knee disartic. fairing	114		
Adaptive Knee Fairing	114		
Children's Fairings	114		
T-t fabric covers	115		
T-f fabric covers	115		
H-d fabric covers	115		
Stockings	115		
RPVC/RSi covers	115		
Discon. RPVC cover	115		
Cover, Shin, RPVC - T-t	116		
Cover, Main, RSi-T-f	116		
Discontinuous cosmesis	117		
Hi-Activity Cosmesis Kit	117		
Non-definitive T-t cosmetic cover	117		
Wheelchair Cosmesis	117		
Mercury Discontinuous Cosmesis Kit	118 & 35		
Socket Material	119-122		
Carbon Socket	119		
Socket Lock	119		
Socket Valves	119		
Socket Materials	120		
Socket Liner	120		
Socket Frames	121		
Suspension	121-123		
T-t suspension sleeves	121		
Roehampton Suspension Kit	121		
Parasil-skin liner	122		
Knitted sleeve	122		
Sundries	123-124		
Adhesives	124		



endolite

get busy living

Our Offices:

Head Office

Chas A Blatchford & Sons Ltd
Lister Road
Basingstoke
Hampshire
RG22 4AH
United Kingdom
Tel: +44 (0) 1256 316600
Fax: +44 (0) 1256 316617
Email: sales@blatchford.co.uk

Customer Services

Prosthetic and Orthotic Products
11 Atlas Way
Atlas North
Sheffield
S4 7QQ
United Kingdom
Tel: +44 (0) 114 263 7900
Fax: +44 (0) 114 263 7901
Email: sales@blatchford.co.uk

Endolite France

Parc d'Activités de l'Aéroport,
125 Impasse
Jean-Baptiste Say
34470 PEROLS
France
Tel: 33 467 820820
Fax: 33 467 073630
Email: endolitefrance@free.fr

Endolite North America

1031, Byers Road
Miamisburg
Ohio 45342
USA
Tel: 1 937 291 3636
Fax: 1 937 291 0789
Email: info@endolite.com

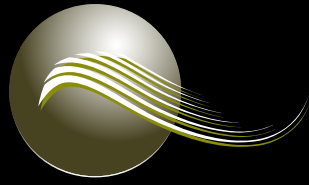
Endolite India Ltd

A4 Naraina Industrial
Area
Phase 1
New Delhi – 110028
INDIA
Tel: 91 11 45689955
Fax: 91 11 25891543
Email: endolite@vsnl.com

Endolite Asia SDN BHD

Rumah Insaniah
Dr Siti Hasmah Lot 5364
Taman Kanagapuram
Jalan 18/22 46000
Petaling Jaya
Selangor Darul Eshan
MALAYSIA
Tel: 603 778 14548
Fax: 603 778 30792
Email: endolite@tm.net.my





endolite

get busy living